

AR 350E4 SILEO AXIAL FAN

Item no. 37381

Version: 50 Hz

Document type: **Product card**

Document date: **2016-06-23**

Generated by: **Systemair Online Catalogue**

Description

- speed controllable by voltage reduction, plus option of 2-step operation by D/Y switching for 400V versions
- safe and maintenance free operation
- can be installed in any mounting position
- electric connection via terminal box mounted on the casing

Axial fans of the AR sileo range do have a bionic shape of the fan blade, and are driven by external rotor motors. The AR range is mounted in a round casing according Eurovent 1/2, galvanized steel and powder coated in black (RAL9005). The axial impeller is manufactured from black high efficiency composite material. The impeller is balanced dynamically in two levels in accordance with DIN ISO 1940 part 1, quality G6.3. The motors are equipped with thermal contacts for motor protection, with leads to be connected to a motor protection unit.



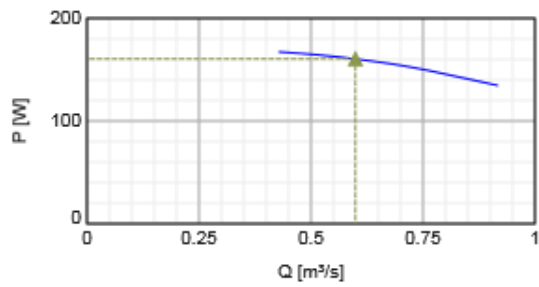
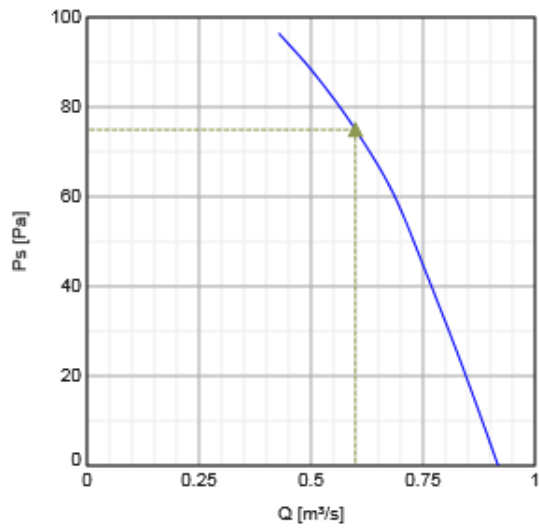
Technical parameters

Nominal data	
Voltage	230 V
Frequency	50 Hz
Phase	1 ~
Connection	D
Input power (P1)	216 W
Current	0,943 A
Max. airflow	918 l/s
R.p.m.	1201 r.p.m.
Capacitor	4 µF
Weight	7,5 kg
Temperature data	
Max. temperature of transported air	65 °C
Max. temperature of transported air when speed-controlled	65 °C
Sound data	
Sound pressure level at 1 m	62 dB(A)
Protection / Classification	
Insulation class	F
Enclosure class, motor	IP44 IP
Data according to ErP directive	
Efficiency, static	29 η _{statA}

Air flow at max efficiency	600	l/s
Efficiency grade	40,4	Nactual
Target efficiency grade ErP2013	36	Ntarget2013
Target efficiency grade ErP2015	40	Ntarget2015
Measurement category	A	
Specific ratio	1	

Diagrams

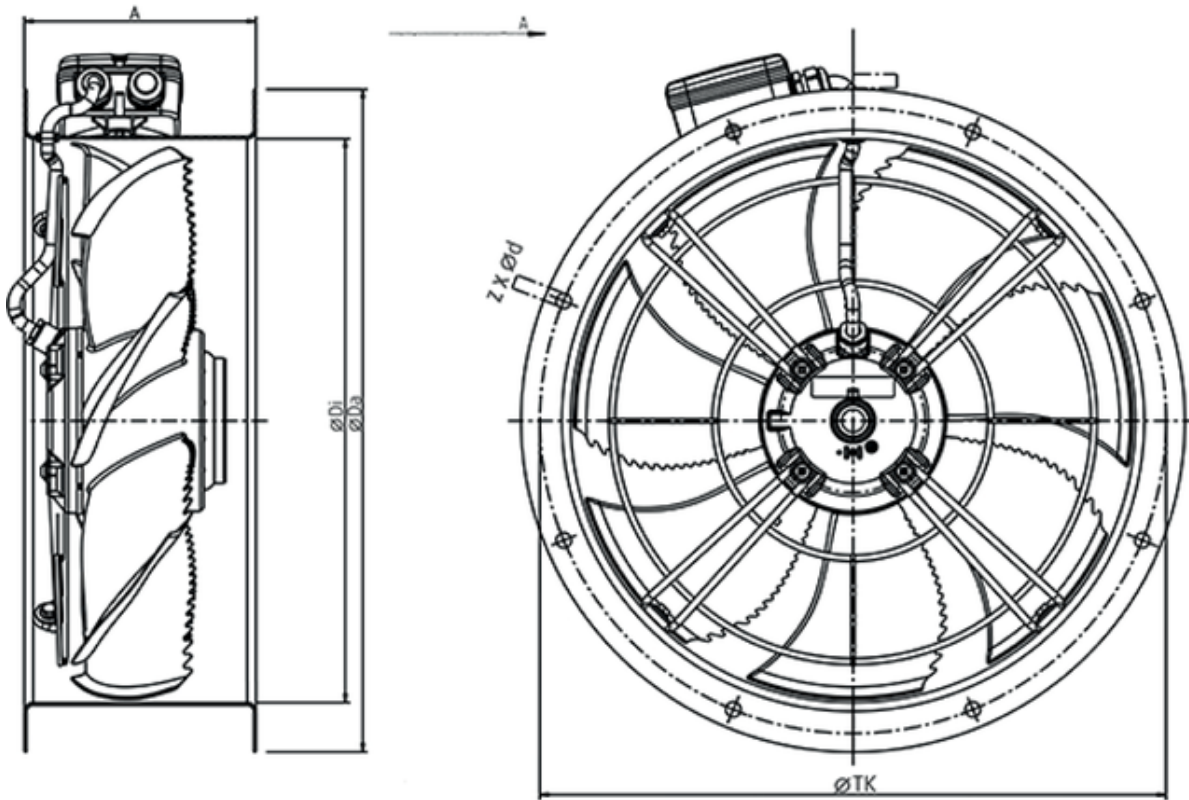
Diagrams



Hydraulic data

	Working point						
	Q [m³/s]	Ps [Pa]	P [W]	n [r.p.m.]	I [A]	SFP [kW/m³/s]	U [V]
Max efficiency	▲ 0,599	▲ 75	▲ 160	1355	0,704	0,268	230

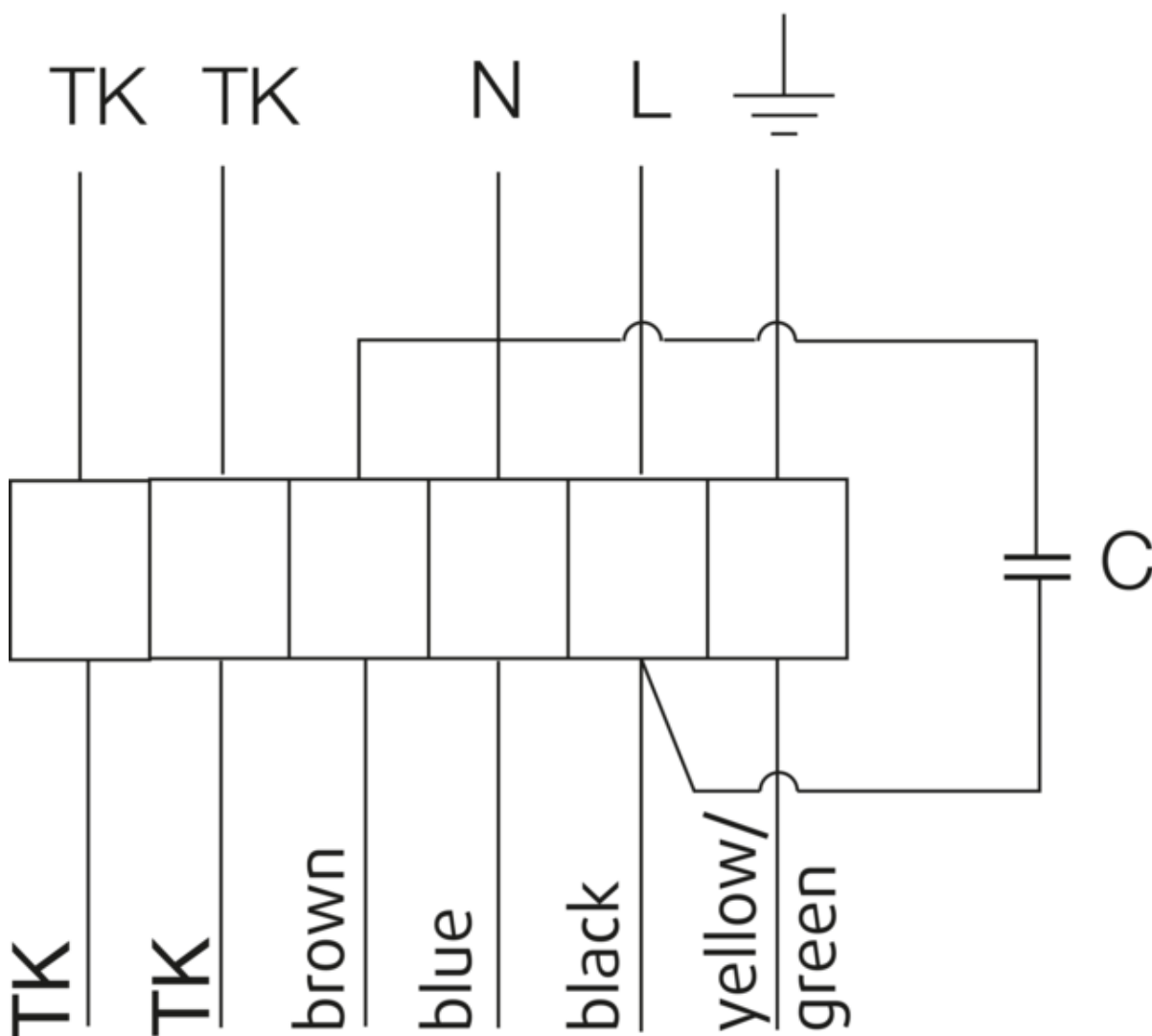
Dimensions



	A	ØDi	ØDa	ØTK	z x Ød
AR 350 sileo	135	360	423	395	8 x Ø9,5

Wiring

230V 1~



Accessories




Electric accessories

- REV-5POL/05 ON/OFF (33979)
- REE 1 Speed control (5314)
- S-ET 10 Motor Protection (5154)
- AWE-SK Motorprotection 2A/230V (5138)
- RTRE 1,5 Speed control (5008)
- REU 1.5 Speed control (5004)
- STL 1.5 Speed controller (84251)

Accessories

- GFL-AR/AXC 355 counter flange (8377)

Documentation

-  BAL-axial-sileo-Systemair-08-2013.pdf (244,69kB)
-  Operating and maintenance instructions_2010-07.pdf.pdf (488,24kB)
-  2015-01_EC-declaration of conformity Axial_DE-EN.pdf (100,49kB)

Internal

-  company statement UL_Sileo_eng.pdf (15,30kB)

EPS diagrams

Specification text