

## AR 450E4 SILEO AXIAL FAN

Item no. 37385

Document type: **Product card**

Document date: **2016-06-23**

Generated by: **Systemair Online Catalogue**

### Description

- speed controllable by voltage reduction
- inlet protection guard
- safe and maintenance free operation
- can be installed in any mounting position
- electric connection via terminal box mounted on the casing
- supplied with capacitor

Axial fans of the AR sileo range do have a bionic shape of the fan blade, and are driven by external rotor motors. The AR range is mounted in a round casing according Eurovent 1/2 made from galvanized steel, and is completely painted in black (RAL9005). The axial impeller is manufactured from pressure die cast aluminum and is painted in black. The impeller is balanced dynamically in two levels in accordance with DIN ISO 1940 part 1, quality G6.3.

The motors are equipped with thermal contacts for motor protection, with leads to be connected to a motor protection unit, for example Systemair unit S-ET.

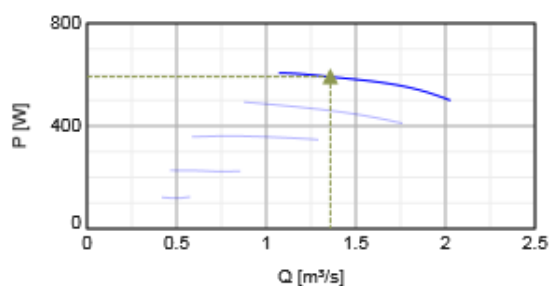
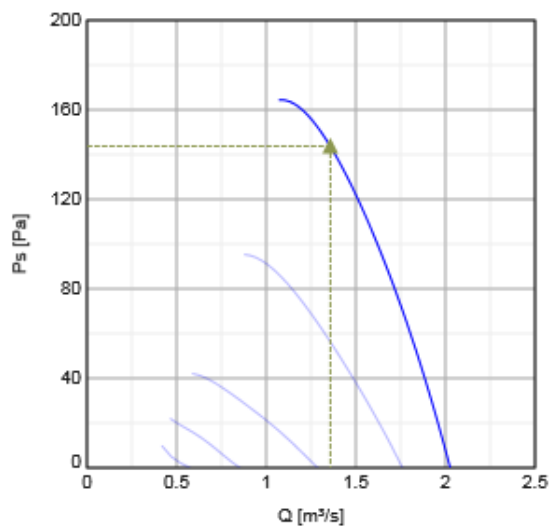


### Technical parameters

Voltage	230	V
Frequency	50	Hz
Phase	1	~
Input power (P1)	600	W
Current	2,9	A
Max. airflow	2025	l/s
R.p.m.	1390	r.p.m.
Max. temperature of transported air	70	°C
Max. temperature of transported air when speed-controlled	70	°C
Sound pressure level at 1 m	66	dB(A)
Weight	17	kg
Insulation class	F	
Enclosure class, motor	54	IP
Capacitor	14	µF
Efficiency, static	34	ηstatA
Air flow at max efficiency	1390	l/s
Efficiency grade	41,8	Nactual
Measurement category	A	
Target efficiency grade ErP2013	36	Ntarget2013
Target efficiency grade ErP2015	40	Ntarget2015
Specific ratio	1	

### Diagrams

#### Diagrams



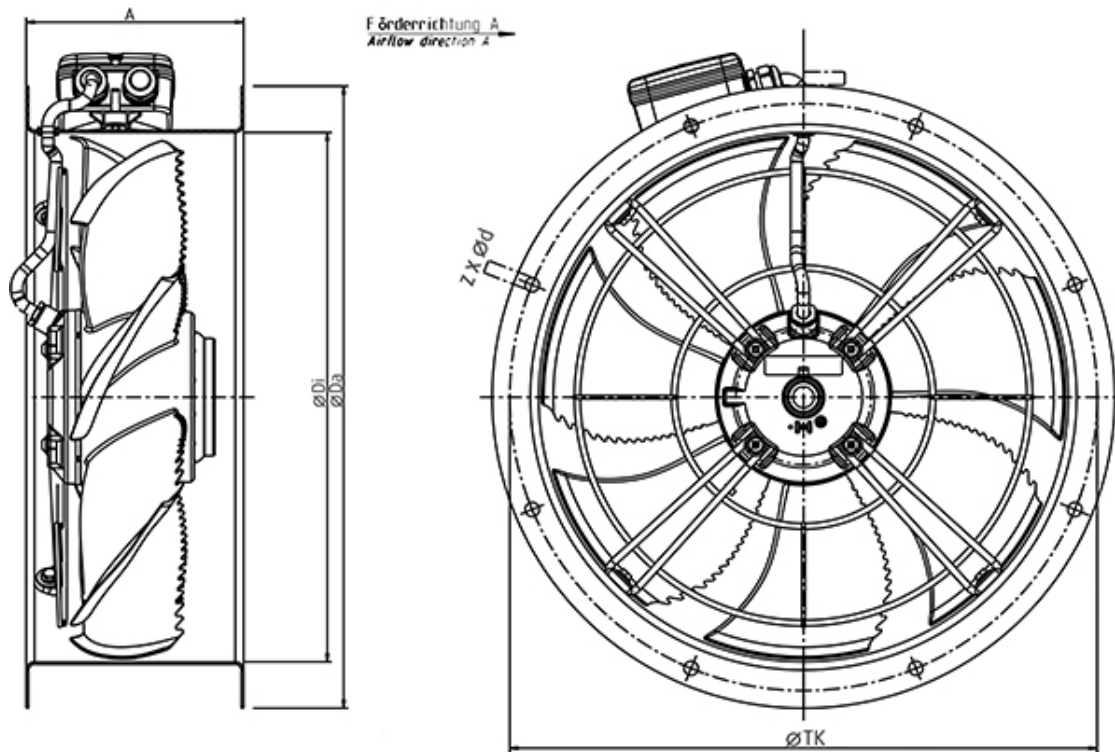
#### Hydraulic data

	Working point						
	Q [m³/s]	Ps [Pa]	P [W]	n [r.p.m.]	I [A]	SFP [kW/m³/s]	U [V]
Max efficiency	▲ 1,36	▲ 144	▲ 592	1398	2,82	0,436	230

#### Acoustic data

Sound power level		63	125	250	500	1k	2k	4k	8k	Tot
Inlet	dB(A)	20	42	53	64	68	68	65	58	73
Outlet	dB(A)	20	42	53	65	68	68	65	60	73

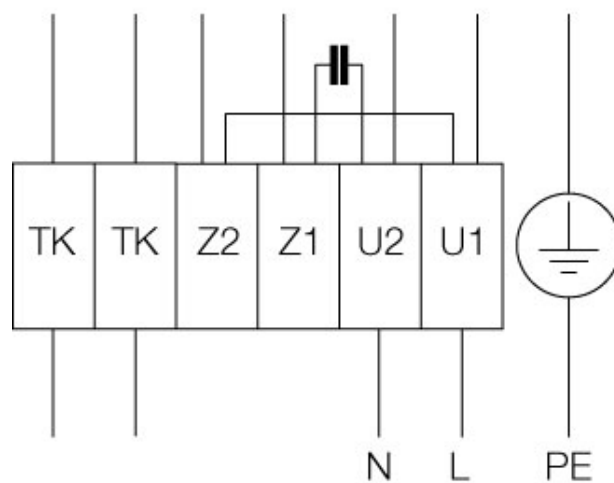
#### Dimensions



	A	ØDi	ØDa	ØTK	z x Ød
AR 450 sileo	185	451	530	500	8 x Ø12

## Wiring

Linkslauf  
Counter Clockwise rotation  
Rotation à gauche




## Accessories


### Electric accessories


- REV-5POL/05 ON/OFF (33979)
- REE 4 Speed control (5317)
- S-ET 10 Motor Protection (5154)
- REU 3 Speed control (5005)
- RTRE 3 Speed control (5009)
- STL 3 Speed controller (84261)

### Accessories

## Documentation

 2015-01\_EC-declaration of conformity Axial\_DE-EN.pdf (100,49kB)

 Operating and maintenance instructions\_2010-07.pdf.pdf (488,24kB)

 BAL-axial-sileo-Systemair-08-2013.pdf (244,69kB)

## Specification text

The box is made up of electroplated steel- plate witch is powder coated. A protection guard is included. The fan can be installed in each fitting position. The axial impeller with airfoil made of aluminum and is coated black. The actuation is carried out by a maintenance- free, speed- controlled external rotor motor. The fan is speed- controllable by a thyristor or a transformer alternatively at a 400V- Construction a 2- stepped operation trough a D/Y- Connection is also possible. For protecting the motor integrated thermostat relays with completed lines to a motor protection device are built in. For annealing the motor is situated in the air flow. Impeller according to VDI 2060, quality category Q6,3 and dynamically weigh heavy in to levels