

AW SILEO 315E4 AXIAL FAN

Item no. 34121

Version: 50 Hz

Document type: **Product card**

Document date: **2013-10-15**

Generated by: **Systemair Online Catalogue**

Description

- speed controllable by voltage reduction
- inlet protection guard
- safe and maintenance free operation
- can be installed in any mounting position
- electric connection via terminal box mounted on the motor
- single phase fans are supplied with capacitor



Axial fans of the AW sileo range do have a bionic shape of the fan blade, and are driven by external rotor motors. The AW range is equipped with a square wall plate, galvanized steel and powder coated in black (RAL9005). The protection guard at the inlet side is powder coated in black. The axial impeller is manufactured from black high efficiency composite material. The impeller is balanced dynamically in two levels in accordance with DIN ISO 1940 part 1, quality G6.3.

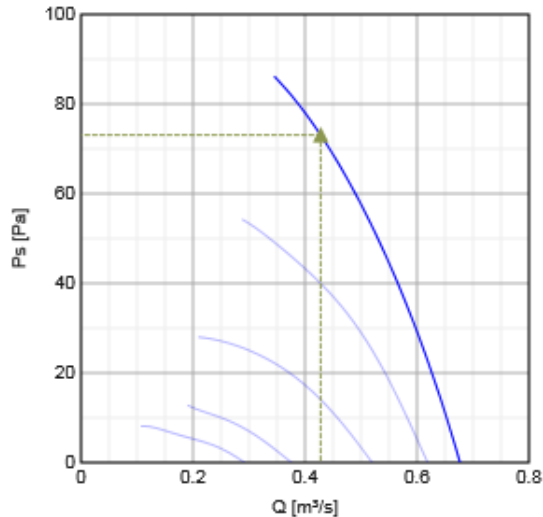
The motors are equipped with thermal contacts for motor protection, with leads to be connected to a motor protection unit, for example Systemair unit S-ET.

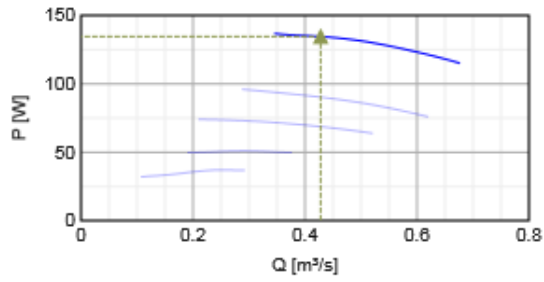
Technical parameters

Voltage	230 V
Frequency	50 Hz
Phase	1 ~
Power	160 W
Current	0.67 A
Max. airflow	0.677 m³/s
Fan impeller speed	1300 r.p.m.
Max. temperature of transported air	50 °C
Max. temperature of transported air when speed-controlled	50 °C
Sound pressure level at 1 m	59 dB(A)
Weight	6.7 kg
Insulation class, motor	F
Enclosure class, motor	44 IP
Capacitor	5 µF

Performance

Diagrams





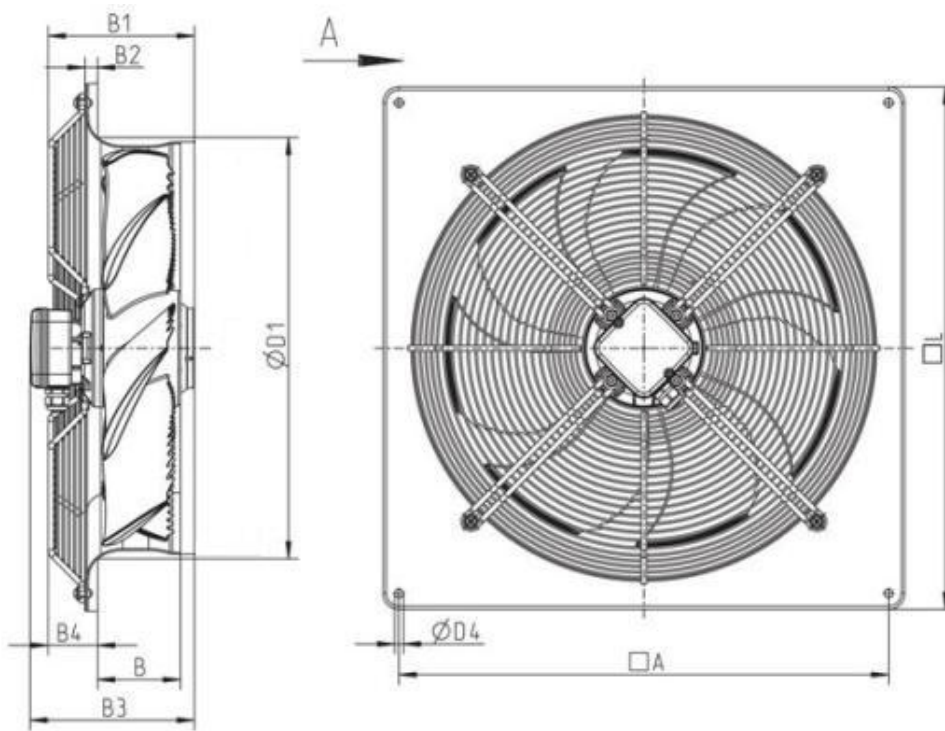
Hydraulic data

	Working point						
	Q [m³/s]	Ps [Pa]	P [W]	n [r.p.m.]	I [A]	SFP [kW/m³/s]	U [V]
Max efficiency	▲ 0.428 ▲	▲ 73.1 ▲	▲ 135	1360	0.601	0.314	230

Acoustic data

Sound power level		63	125	250	500	1k	2k	4k	8k	Tot
Inlet	dB(A)	39	55	58	59	60	60	54	44	66
Outlet	dB(A)	39	55	58	58	60	60	54	44	66

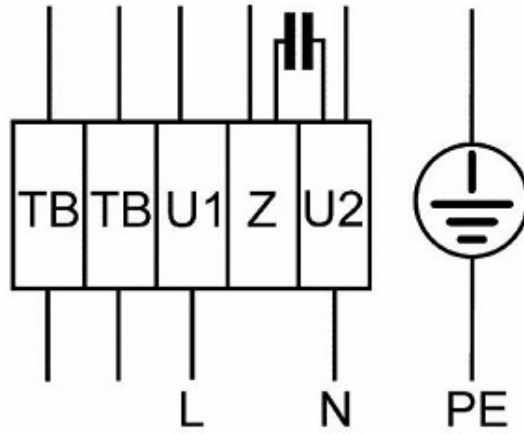
Dimensions



	□A	B	B1	B2	B3	B4	ØD1	ØD4	□L
AW 315DV	380	69	118	11	182	19	330	9	430
AW 315E4	380	63	132	11	173	48	349	9	430

A = Air direction

Wiring



Accessories

Electric accessories




- AWE-SK Motorprotection 2A/230V (5138)
- REE 1 Speed control (5314)
- REU 1.5 Speed control (5004)
- REV-5POL/05 ON/OFF (33979)
- RTRE 1,5 Speed control (5008)
- S-ET 10 Motor Protection (5154)

Accessories

- VK-30 Louvre shutter (5641)

Specification text

Documentation

-  [\(2013-01_CE_Declaration_of_Conformity_Axial_DE-EN.pdf, 97kB\)](#)
-  [\(Operating and maintenance instructions_2010-07.pdf.pdf, 488kB\)](#)
-  [\(BAL-axial-sileo-Systemair-08-2013.pdf, 244kB\)](#)