

AW SILEO 350E4 AXIAL FAN

Item no. 34123

Document type: **Product card**

Document date: **2013-10-15**

Generated by: **Systemair Online Catalogue**

Description

- speed controllable by voltage reduction
- inlet protection guard
- safe and maintenance free operation
- can be installed in any mounting position
- electric connection via terminal box mounted on the motor
- single phase fans are supplied with capacitor



Axial fans of the AW sileo range do have a bionic shape of the fan blade, and are driven by external rotor motors. The AW range is equipped with a square wall plate, galvanized steel and powder coated in black (RAL9005). The protection guard at the inlet side is powder coated in black. The axial impeller is manufactured from black high efficiency composite material. The impeller is balanced dynamically in two levels in accordance with DIN ISO 1940 part 1, quality G6.3.

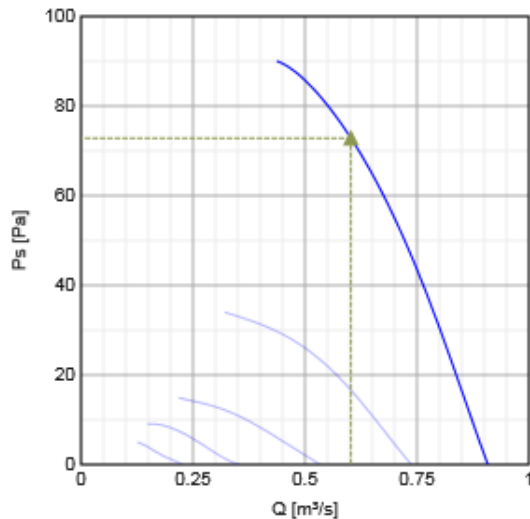
The motors are equipped with thermal contacts for motor protection, with leads to be connected to a motor protection unit, for example Systemair unit S-ET.

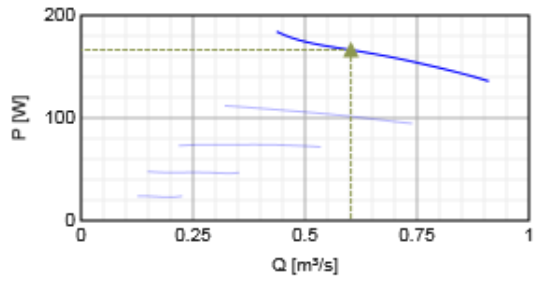
Technical parameters

Voltage	230	V
Frequency	50	Hz
Phase	1	~
Power	170	W
Current	0.75	A
Max. airflow	0.91	m ³ /s
Fan impeller speed	1260	r.p.m.
Max. temperature of transported air	60	°C
Max. temperature of transported air when speed-controlled	60	°C
Sound pressure level at 1 m	62	dB(A)
Weight	7.5	kg
Insulation class, motor	F	
Enclosure class, motor	44	IP
Capacitor	5	µF

Performance

Diagrams





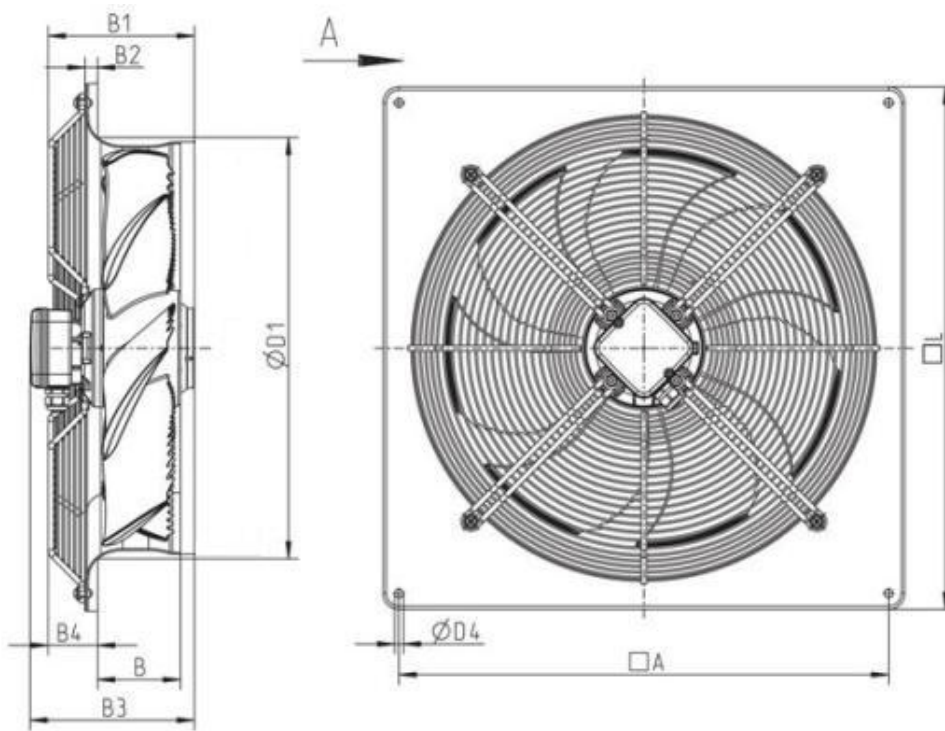
Hydraulic data

	Working point						
	Q [m³/s]	Ps [Pa]	P [W]	n [r.p.m.]	I [A]	SFP [kW/m³/s]	U [V]
Max efficiency	▲ 0.602	▲ 72.8	▲ 166	1294	0.731	0.276	230

Acoustic data

Sound power level		63	125	250	500	1k	2k	4k	8k	Tot
Inlet	dB(A)	40	54	53	60	58	61	55	46	65
Outlet	dB(A)	39	53	55	58	58	61	54	45	65

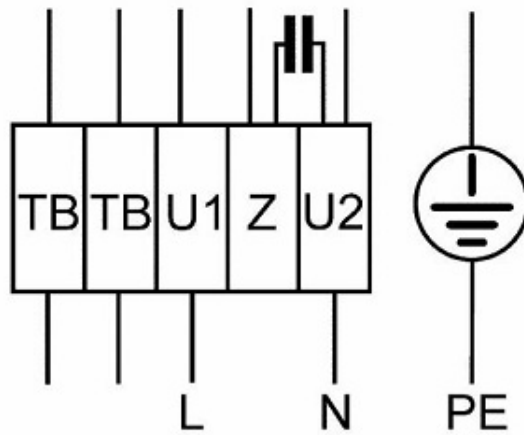
Dimensions



	□A	B	B1	B2	B3	B4	ØD1	ØD4	□L
AW 350DV	435	68	119	12	182	22	388	9	485
AW 350E4	435	68	132	12	173	49	390	9	485

A = Air direction

Wiring



Accessories

Electric accessories




- AWE-SK Motorprotection 2A/230V (5138)
- REE 1 Speed control (5314)
- REU 1.5 Speed control (5004)
- REV-5POL/05 ON/OFF (33979)
- RTRE 1,5 Speed control (5008)
- S-ET 10 Motor Protection (5154)

Accessories

- VK-35 Louvre shutter (5642)

Specification text

Documentation

-  [\(2013-01_CE_Declaration_of_Conformity_Axial_DE-EN.pdf, 97kB\)](#)
-  [\(Operating and maintenance instructions_2010-07.pdf.pdf, 488kB\)](#)
-  [\(BAL-axial-sileo-Systemair-08-2013.pdf, 244kB\)](#)