

AW SILEO 400E4 AXIAL FAN

Item no. 34125

Version: 50 Hz

Document type: **Product card**

Document date: **2013-10-15**

Generated by: **Systemair Online Catalogue**

Description

- speed controllable by voltage reduction, plus option of 2-step operation by D/Y switching for 400V versions
- inlet protection guard
- safe and maintenance free operation
- can be installed in any mounting position
- electric connection via terminal box mounted on the motor
- single phase fans are supplied with capacitor



Axial fans of the AW sileo range do have a bionic shape of the fan blade, and are driven by external rotor motors. The AW range is equipped with a square wall plate, galvanized steel and powder coated in black (RAL9005). The protection guard at the inlet side is powder coated in black. The axial impeller is manufactured from black high efficiency composite material. The impeller is balanced dynamically in two levels in accordance with DIN ISO 1940 part 1, quality G6.3.

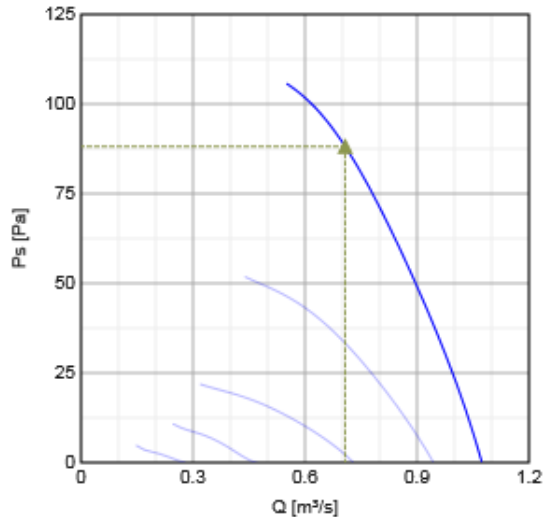
The motors are equipped with thermal contacts for motor protection, with leads to be connected to a motor protection unit, for example Systemair unit S-ET.

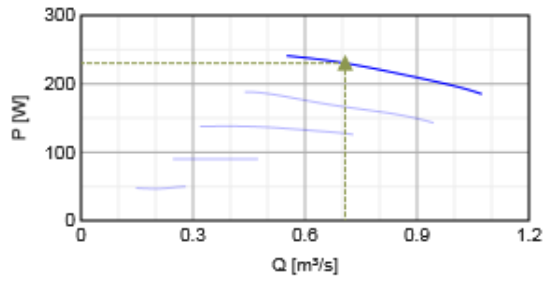
Technical parameters

Voltage	230 V
Frequency	50 Hz
Phase	1 ~
Power	240 W
Current	1.1 A
Max. airflow	1.07 m³/s
Fan impeller speed	1350 r.p.m.
Max. temperature of transported air	65 °C
Max. temperature of transported air when speed-controlled	65 °C
Sound pressure level at 1 m	64 dB(A)
Weight	8.7 kg
Insulation class, motor	F
Enclosure class, motor	54 IP
Capacitor	5 µF

Performance

Diagrams





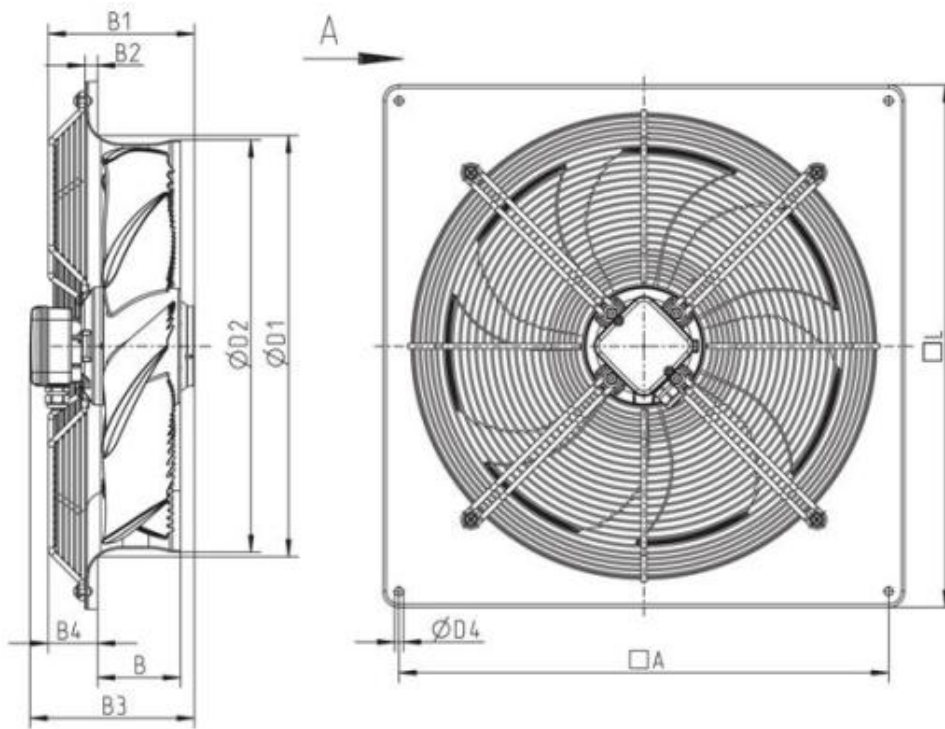
Hydraulic data

	Working point						
	Q [m³/s]	Ps [Pa]	P [W]	n [r.p.m.]	I [A]	SFP [kW/m³/s]	U [V]
Max efficiency	▲ 0.707 ▲	▲ 88.2 ▲	▲ 230 ▲	1367	1.01	0.325	230

Acoustic data

Sound power level		63	125	250	500	1k	2k	4k	8k	Tot
Inlet	dB(A)	47	56	59	60	63	62	57	50	68
Outlet	dB(A)	45	56	60	61	65	63	57	48	69

Dimensions

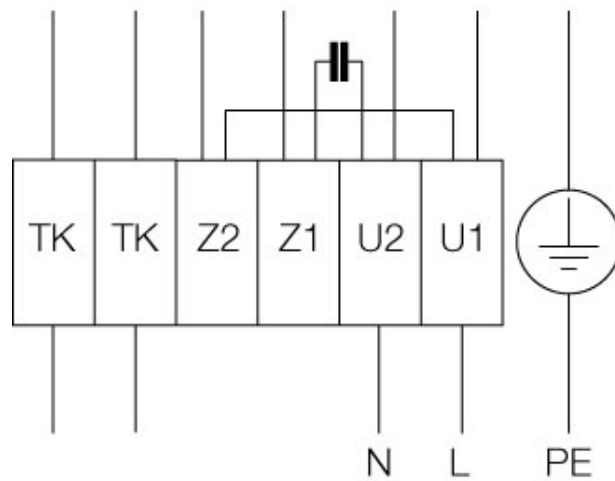


	□A	B	B1	B2	B3	B4	ØD1	ØD2	ØD4	□L
AW 400DV	490	88	146	12	182	54	420	412	9	540
AW 400E4	490	88	146	12	182	54	420	412	9	540

A = Air direction

Wiring

Linkslauf
Counter Clockwise rotation
Rotation á gauche



Accessories

Electric accessories


AWE-SK Motorprotection 2A/230V (5138)
REE 2 Speed control (5316)
REU 1.5 Speed control (5004)
REV-5POL/05 ON/OFF (33979)
RTRE 1,5 Speed control (5008)
S-ET 10 Motor Protection (5154)


Accessories


SG AW-D BGr 040, RAL 9005 (30601)
VK-40 Louvre shutter (5643)

Specification text

Documentation

 [\(2013-01_CE_Declaration_of_Conformity_Axial_DE-EN.pdf, 97kB\)](#)

 [\(Operating_and_maintenance_instructions_2010-07.pdf.pdf, 488kB\)](#)

 [\(BAL-axial-sileo-Systemair-08-2013.pdf, 244kB\)](#)