

## AW SILEO 450E4 AXIAL FAN

Item no. 34128

Version: 50 Hz

Document type: **Product card**

Document date: **2013-10-15**

Generated by: **Systemair Online Catalogue**

### Description

- speed controllable by voltage reduction, plus option of 2-step operation by D/Y switching for 400V versions
- inlet protection guard
- safe and maintenance free operation
- can be installed in any mounting position
- electric connection via terminal box mounted on the motor
- single phase fans are supplied with capacitor



Axial fans of the AW sileo range do have a bionic shape of the fan blade, and are driven by external rotor motors. The AW range is equipped with a square wall plate made from galvanized steel and a protection guard at the inlet side and is completely painted in black (RAL9005). The axial impeller is manufactured from pressure die cast aluminum and also painted in black (RAL9005).

The impeller is balanced dynamically in two levels in accordance with DIN ISO 1940 part 1, quality G6.3.

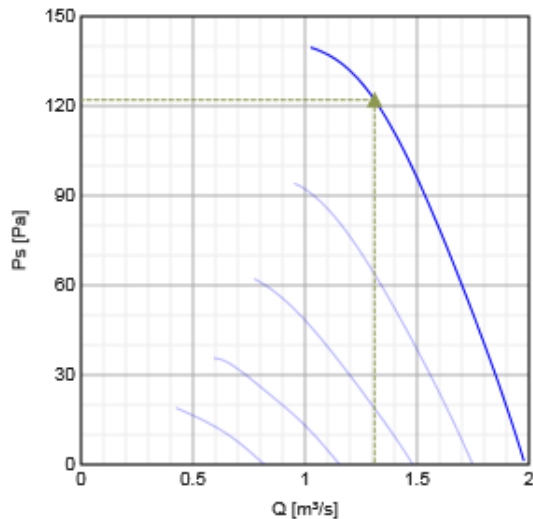
The motors are equipped with thermal contacts for motor protection, with leads to be connected to a motor protection unit, for example Systemair unit S-ET.

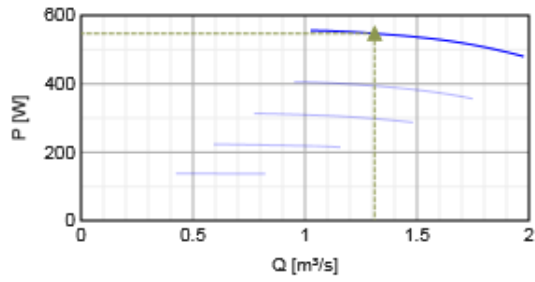
### Technical parameters

Voltage	230 V
Frequency	50 Hz
Phase	1 ~
Power	550 W
Current	2.5 A
Max. airflow	1.98 m³/s
Fan impeller speed	1320 r.p.m.
Max. temperature of transported air	70 °C
Max. temperature of transported air when speed-controlled	70 °C
Sound pressure level at 1 m	66 dB(A)
Weight	16.2 kg
Insulation class, motor	F
Enclosure class, motor	54 IP
Capacitor	14 µF

### Performance

#### Diagrams





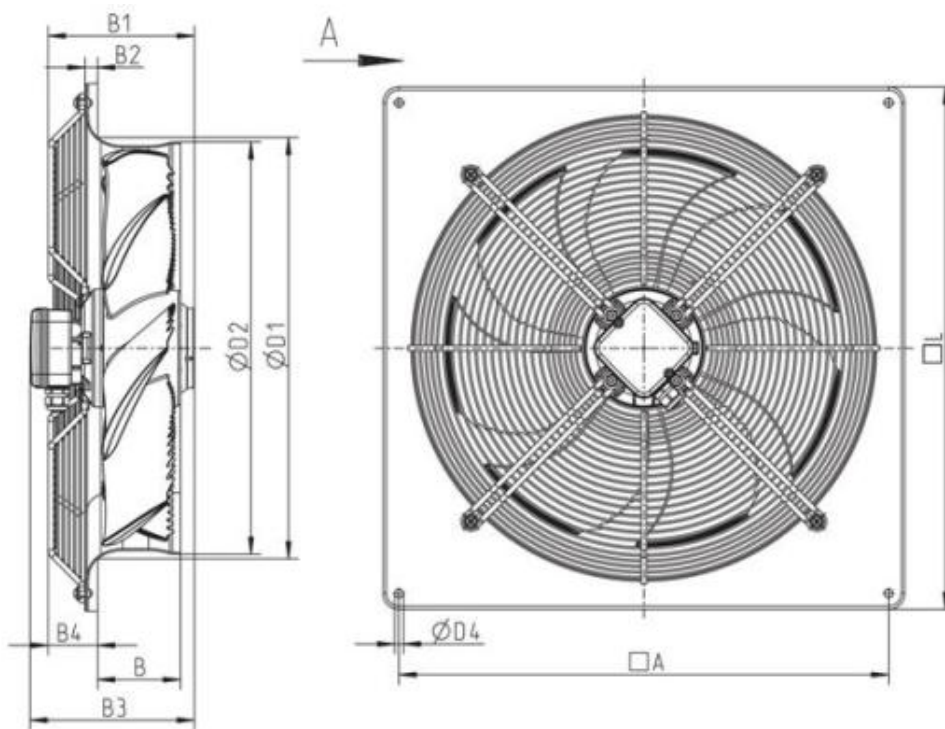
### Hydraulic data

	Working point						
	Q [m³/s]	Ps [Pa]	P [W]	n [r.p.m.]	I [A]	SFP [kW/m³/s]	U [V]
Max efficiency	▲ 1.31	▲ 122	▲ 547	1330	2.44	0.418	230

### Acoustic data

Sound power level		63	125	250	500	1k	2k	4k	8k	Tot
Inlet	dB(A)	42	53	63	61	64	64	60	52	70
Outlet	dB(A)	46	54	62	62	63	63	59	51	69

### Dimensions

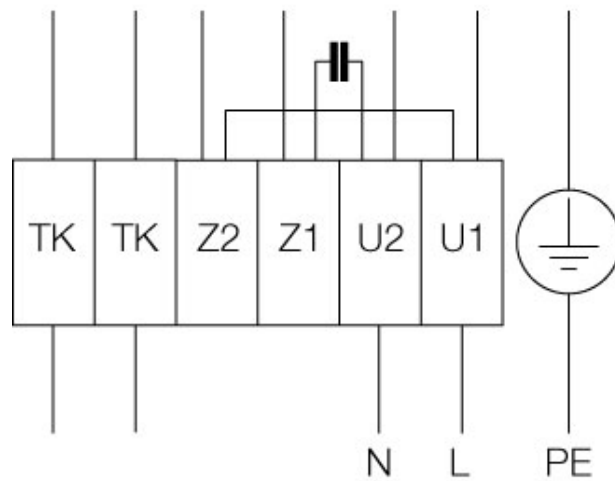


	□A	B	B1	B2	B3	B4	ØD1	ØD2	ØD4	□L
AW 450DV	535	96	171	14	206	47	480	463	11	575
AW 450DV-K	535	96	148	14	186	40	480	463	11	575
AW 450E4	535	96	191	14	226	47	480	463	11	575
AW 450E4-K	535	96	148	14	186	40	480	463	11	575

A = Air direction

### Wiring

Linkslauf  
Counter Clockwise rotation  
Rotation à gauche



## Accessories

### Electric accessories


REE 4 Speed control (5317)  
REU 3 Speed control (5005)  
REV-5POL/05 ON/OFF (33979)  
RTRE 3 Speed control (5009)  
S-ET 10 Motor Protection (5154)


### Accessories


SG AW-D BGr 045/042, RAL 9005 (30602)

## Specification text

## Documentation

 [\(2013-01\\_CE\\_Declaration\\_of\\_Conformity\\_Axial\\_DE-EN.pdf, 97kB\)](#)

 [\(Operating\\_and\\_maintenance\\_instructions\\_2010-07.pdf.pdf, 488kB\)](#)

 [\(BAL-axial-sileo-Systemair-08-2013.pdf, 244kB\)](#)