

AW SILEO 500E4 AXIAL FAN

Item no. 34132

Version: 50 Hz

Document type: **Product card**

Document date: **2013-10-15**

Generated by: **Systemair Online Catalogue**

Description

- speed controllable by voltage reduction, plus option of 2-step operation by D/Y switching for 400V versions
- inlet protection guard
- safe and maintenance free operation
- can be installed in any mounting position
- electric connection via terminal box mounted on the motor
- single phase fans are supplied with capacitor



Axial fans of the AW sileo range do have a bionic shape of the fan blade, and are driven by external rotor motors. The AW range is equipped with a square wall plate made from galvanized steel and a protection guard at the inlet side and is completely painted in black (RAL9005). The axial impeller is manufactured from pressure die cast aluminum and also painted in black (RAL9005).

The impeller is balanced dynamically in two levels in accordance with DIN ISO 1940 part 1, quality G6.3.

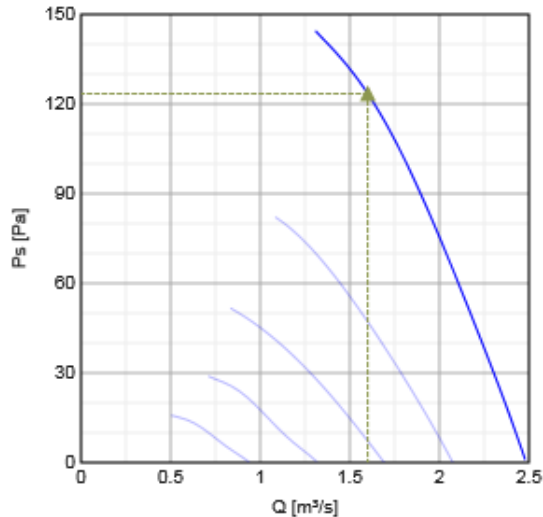
The motors are equipped with thermal contacts for motor protection, with leads to be connected to a motor protection unit, for example Systemair unit S-ET.

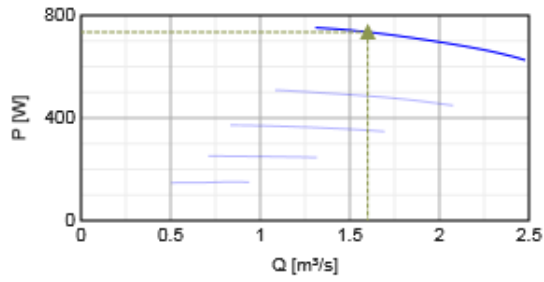
Technical parameters

Voltage	230 V
Frequency	50 Hz
Phase	1 ~
Power	750 W
Current	3.35 A
Max. airflow	2.48 m³/s
Fan impeller speed	1230 r.p.m.
Max. temperature of transported air	70 °C
Max. temperature of transported air when speed-controlled	70 °C
Sound pressure level at 1 m	68 dB(A)
Weight	20 kg
Insulation class, motor	F
Enclosure class, motor	54 IP
Capacitor	16 µF

Performance

Diagrams





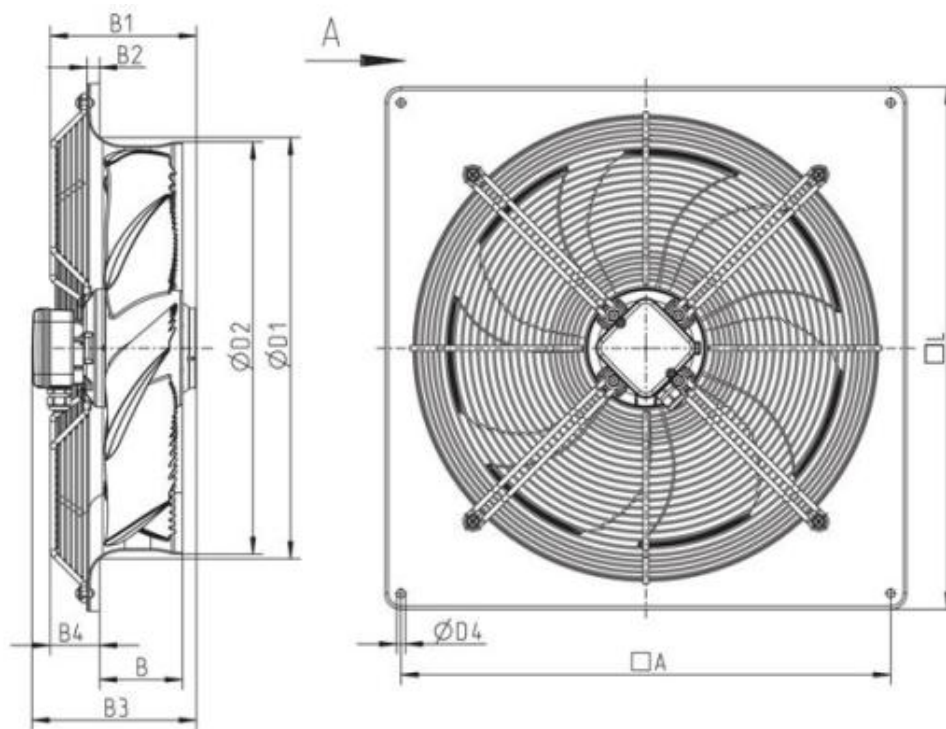
Hydraulic data

	Working point						
	Q [m³/s]	Ps [Pa]	P [W]	n [r.p.m.]	I [A]	SFP [kW/m³/s]	U [V]
Max efficiency	▲ 1.6 ▲	▲ 123 ▲	▲ 735 ▲	1247	3.25	0.459	230

Acoustic data

Sound power level		63	125	250	500	1k	2k	4k	8k	Tot
Inlet	dB(A)	45	59	59	60	67	69	62	51	72
Outlet	dB(A)	45	60	60	61	67	68	61	51	72

Dimensions

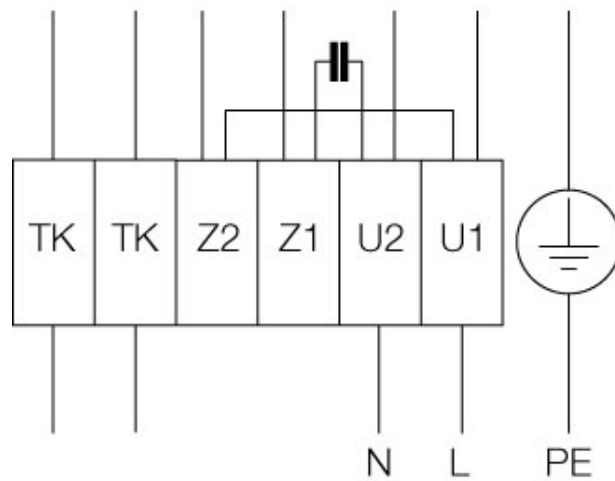


	□A	B	B1	B2	B3	B4	ØD1	ØD2	ØD4	□L
AW 500DV	615	104	204	16	226	64	531	517	11	655
AW 500E4	615	104	204	16	226	62	531	517	11	655

A = Air direction

Wiring

Linkslauf
Counter Clockwise rotation
Rotation à gauche



Accessories

Electric accessories


REE 4 Speed control (5317)
REU 5 Speed control (5006)
REV-5POL/05 ON/OFF (33979)
RTRE 5 Speed control (5010)
S-ET 10 Motor Protection (5154)


Accessories


SG AW-D BGr 050, RAL 9005 (30603)

Specification text

Documentation

 [\(2013-01_CE_Declaration_of_Conformity_Axial_DE-EN.pdf, 97kB\)](#)

 [\(Operating_and_maintenance_instructions_2010-07.pdf.pdf, 488kB\)](#)

 [\(BAL-axial-sileo-Systemair-08-2013.pdf, 244kB\)](#)