

MUB 025 355E4-A2 MULTIBOX

Item no. 2104

Version: 50 Hz - 90° airflow

Document type: **Product card**

Document date: **2013-11-25**

Generated by: **Systemair Online Catalogue**

Description

- Speed-controllable
- Modular system
- Integral thermal contacts
- Low sound level
- Flexible airflow direction due to removable panels
- Installation in any mounting position
- Maintenance-free and reliable

The MUB fans size 355 have impellers with backward curved blades, manufactured from polyamide. The MUB 355 is equipped with external rotor motors, fully speed controllable. The three phase motors are D/Y connected for two speed operation. Motor protection is done by thermal contacts, which have to be connected to an external motor protection device. The casing consists of a corrosion-resistant aluminium frame with fibreglass reinforced plastic corners of PA6; highly shockresistant. The double skin panels are manufactured from galvanised steel with 20 mm mineral wool insulation. To avoid condensation the profile is provided with a separate chamber to fix screws. The Multibox fans are delivered for straight through airflow but can easily be rebuilt due to removable panels. This allows flexible ventilation solutions. The MUB can also be used as extract- or supply air unit in air handling units. Installation in any mounting position is possible.

MUB with additional modules (filters, heaters etc.) are available as air handling units "K025, K042 or K062" on request!

Note! Motors marked with E (e.g. E4-A2) is 1-phased

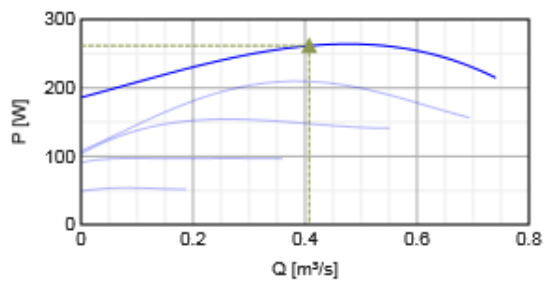
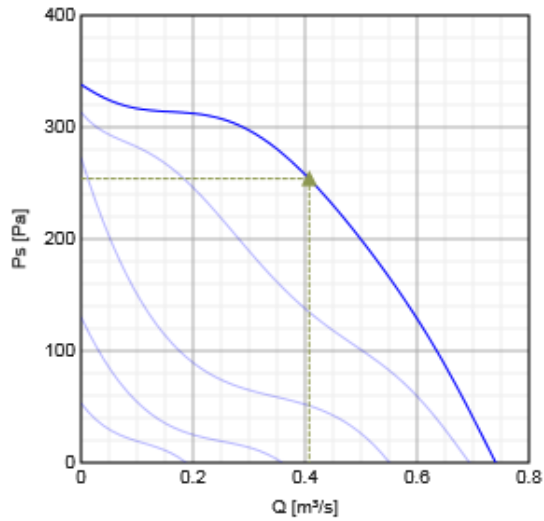


Technical parameters

Voltage	230	V
Frequency	50	Hz
Phase	1	~
Power	264	W
Current	1.19	A
Max. airflow	0.741	m ³ /s
Fan impeller speed	1399	r.p.m.
Max. temperature of transported air	40	°C
Max. temperature of transported air when speed-controlled	40	°C
Sound pressure level at 1 m	46	dB(A)
Weight	29	kg
Insulation class, motor	B	
Enclosure class, motor	44	IP
Capacitor	8	μF

Performance

Diagrams



Hydraulic data

	Working point						
	Q [m³/s]	Ps [Pa]	P [W]	n [r.p.m.]	I [A]	SFP [kW/m³/s]	U [V]
Max efficiency	▲ 0.407 ▲	▲ 254 ▲	▲ 262 ▲	1399	1.18	0.642	230

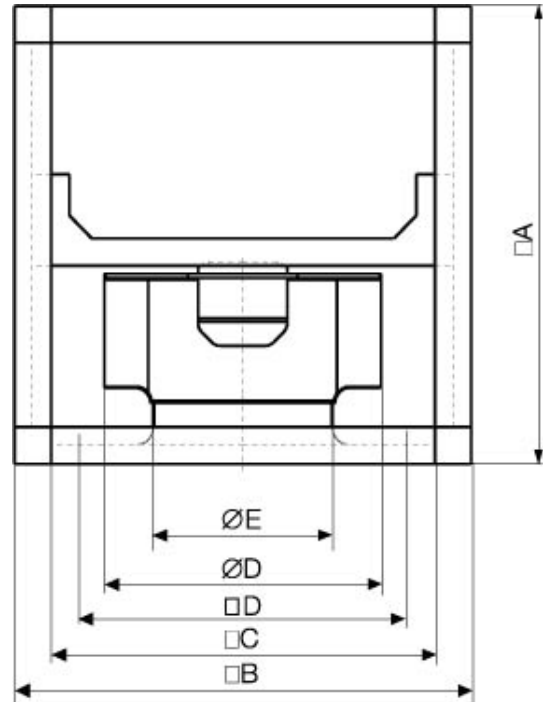
Acoustics

	Mid-frequency band, Hz									
	Hz	Tot	63	125	250	500	1k	2k	4k	8k
LwA Inlet	dB(A)	68	55	57	61	63	62	59	54	47
LwA Outlet	dB(A)	70	57	59	63	65	64	61	56	49
LwA Surrounding	dB(A)	62	49	51	55	57	56	53	48	41

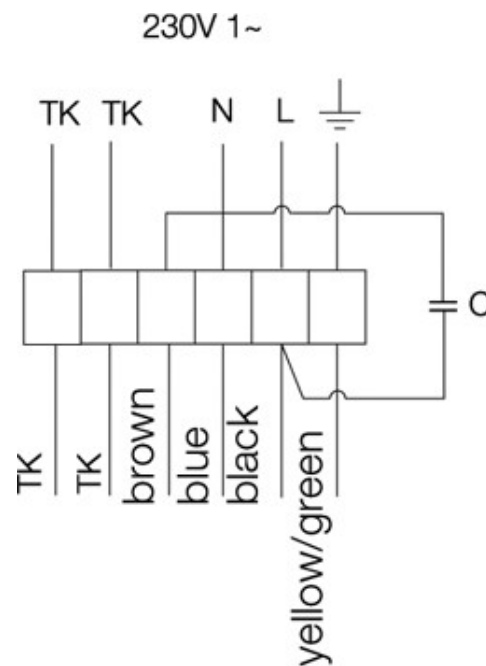
Measuring point: $qv = 0,33 \text{ m}^3/\text{s}$, $Ps = 270 \text{ Pa}$

Dimensions

	□A	□B	□C	□D	∅D	∅E
MUB025 355	500	500	420	378	355	224
MUB042 400	670	670	590	548	404	253
MUB042 450	670	670	590	548	454	286
MUB042 499	670	670	590	548	504	321
MUB042 500	670	670	590	548	504	321



Wiring



Accessories

Electric accessories

- REE 2 Speed control (5316)
- REU 1.5 Speed control (5004)
- REV-5POL/05 ON/OFF (33979)
- RTRE 3 Speed control (5009)
- S-ET 10 Motor Protection (5154)

Accessories

- CCM inlet MUB025 d315 (312562)
- CCM outlet MUB025 d315 (312535)
- CCMI outlet MUB025 d315 insul. (312534)
- FGV 025/416-416 flex. conn. (4196)
- SDM Service Door MUB 025 comp. (32571)
- SRKG 025/418-418 shutter valve (4268)
- UGS 025/355 adapter flex. (4356)
- WSD 025 (560x560x38) (300688)
- WSG 025 weather protec. guard (4361)

Documentation



[\(2012-01_EG-Konformitaetserklaerung_MUB_DE-EN.pdf, 113kB\)](#)



[\(IMO_MUB_2013-10_311722.pdf, 3MB\)](#)



[\(Operating and maintenance instructions.pdf, 1MB\)](#)