

MUB 042 500E4-A2 MULTIBOX

Item no. 2141

Version: 50 Hz - 90° airflow

Document type: **Product card**

Document date: **2013-11-25**

Generated by: **Systemair Online Catalogue**

Description

- Speed-controllable
- Modular system
- Integral thermal contacts
- Low sound level
- Flexible airflow direction due to removable panels
- Installation in any mounting position
- Maintenance-free and reliable

The MUB fans size 500E4 have an impeller with backward curved blades, manufactured from aluminium. The MUB 500E4 is equipped with external rotor motors, fully speed controllable. Motor protection is done by thermal contacts, which have to be connected to an external motor protection device. The casing consists of a corrosion-resistant aluminium frame with fibreglass reinforced plastic corners of PA6; highly shock-resistant. The double skin panels are manufactured from galvanised steel with 20 mm mineral wool insulation. To avoid condensation the profile is provided with a separate chamber to fix screws. The Multibox fans are delivered for straight through airflow but can easily be rebuilt due to removable panels. This allows flexible ventilation solutions. The MUB can also be used as extract- or supply air unit in air handling units. Installation in any mounting position is possible.

MUB with additional modules (filters, heaters etc.) are available as air handling units "K025, K042 or K062" on request!

Note! Motors marked with E (e.g. E4-A2) is 1-phased

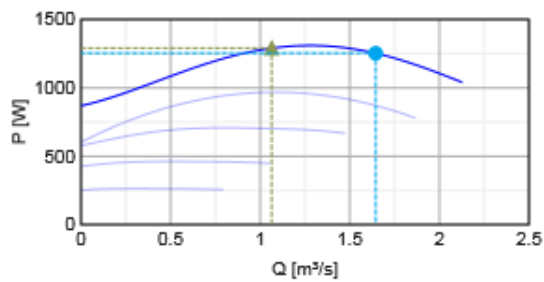
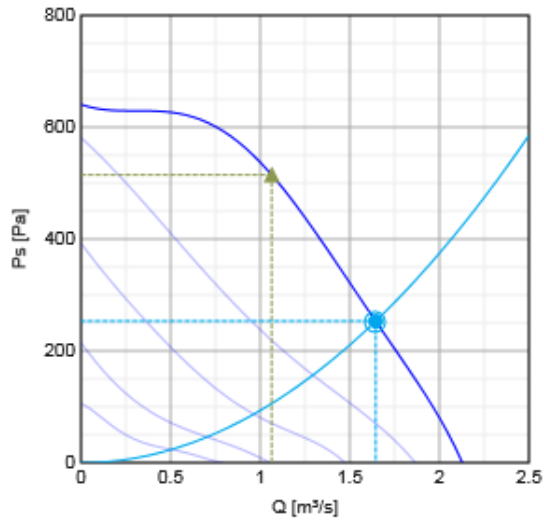


Technical parameters

Voltage	230	V
Frequency	50	Hz
Phase	1	~
Power (P1)	1310	W
Current	5.78	A
Max. airflow	2.13	m ³ /s
Fan impeller speed	1332	r.p.m.
Max. temperature of transported air	40	°C
Sound pressure level at 3 m	56	dB(A)
Weight	57	kg
Insulation class, motor	F	
Enclosure class, motor	54	IP
Capacitor	30	µF

Performance

Diagrams



Hydraulic data

	Required point		Working point						
	Q [m³/s]	Ps [Pa]	Q [m³/s]	Ps [Pa]	P [W]	n [r.p.m.]	I [A]	SFP [kW/m³/s]	U [V]
Max efficiency			▲ 1.06	▲ 515	▲ 1290	1333	5.7	1.21	230
User	○ 1.64	○ 252	● 1.64	● 253	● 1253	1353	5.55	0.762	230

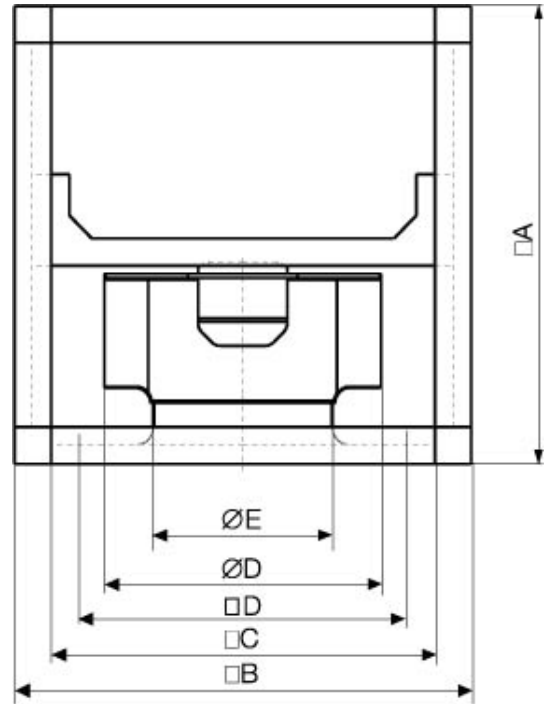
Acoustics

	Hz	Mid-frequency band, Hz								
		Tot	63	125	250	500	1k	2k	4k	8k
LwA Inlet		dB(A) 79	66	68	72	74	73	70	65	58
LwA Outlet		dB(A) 81	68	70	74	76	75	72	67	60
LwA Surrounding		dB(A) 63	50	52	56	58	57	54	49	42

Measuring point: $q_v = 1,35 \text{ m}^3/\text{s}$, $P_s = 380 \text{ Pa}$

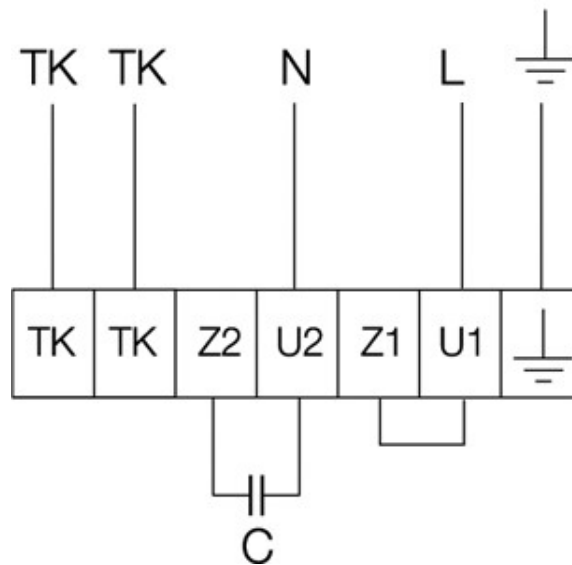
Dimensions

	□A	□B	□C	□D	∅D	∅E
MUB025 355	500	500	420	378	355	224
MUB042 400	670	670	590	548	404	253
MUB042 450	670	670	590	548	454	286
MUB042 499	670	670	590	548	504	321
MUB042 500	670	670	590	548	504	321



Wiring

230V 1~



Accessories

Electric accessories


- REU 7 Speed control (5007)
- REV-5POL/05 ON/OFF (33979)
- RTRE 7 Speed control (5011)
- S-ET 10 Motor Protection (5154)


Accessories

- CCM inlet MUB042 d400 (311780)
- CCM inlet MUB042 d500 (311781)
- CCM outlet MUB042 d400 (311682)
- CCM outlet MUB042 d500 (311683)
- CCMI outlet MUB042 d400 insul. (311562)
- CCMI outlet MUB042 d500 insul. (311565)
- FGV 042/586-586 flex. conn. (4605)
- SDM Service Door MUB 042 comp. (32572)
- SRKG 042/588-588 shutter valve (4868)
- UGS 042/500 adapter flex. (4357)
- WSD 042 (730x730) (300689)

Documentation

 (2012-01_EG-Konformitaetserklaerung MUB_DE-EN.pdf, 113kB)

 (Operating and maintenance instructions.pdf, 1MB)

 (IMO MUB 2013-10_311722.pdf, 3MB)