



## Steel supply air valves (SSV)

Steel supply air valves (SSV) are suitable for use in most commercial and industrial projects. For the range of air volumes handled, they combine low sound level with good diffusion characteristics, making them ideally suitable for residences, hotels and hospitals, to name but a few applications. Adjustment of the airflow is achieved by rotating the inner cone to the desired setting and is secured by means of a lock nut.

Valves are available in 6 sizes to suit duct diameters of 80, 100, 125, 150, 160 and 200mm. Each air valve is supplied complete with a mounting ring from which it may be quickly removed for cleaning without affecting the setting of the valve. The mounting ring is suitable for connecting to conventional ducting or for grouting into a wall and should be positioned to ensure that the front rim is flush with the finished wall face.

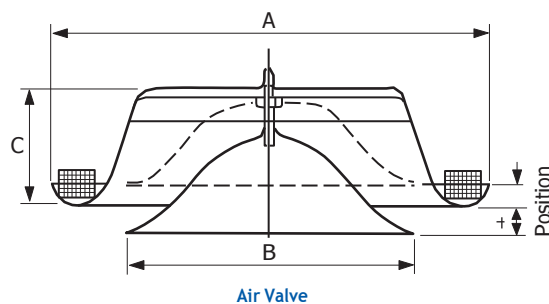
The air valve has a quarter turn bayonet fastening which secures it firmly in place in the mounting ring. SSV valves are manufactured from steel spinings, protected by a gloss white stove enamelled paint. The outer body is fitted with a gasket to form an airtight seal with the mounting ring. The mounting ring being made from plated steel.

G01

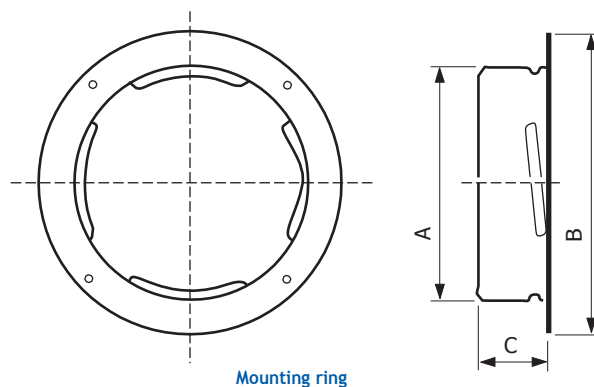
Steel supply exhaust air valves (SSV)

### Dimensions

Nom. size	A	B	C	Weight (g)
80	115	77	41	140
100	137	94	47	190
125	161	110	49	190
150	202	135	60	410
160	212	145	60	500
200	249	194	75	730



Nom. size A	B	C	Weight (g)
80	108	30	45
100	130	30	50
125	155	30	65
150	178	30	75
160	190	30	100
200	236	30	140



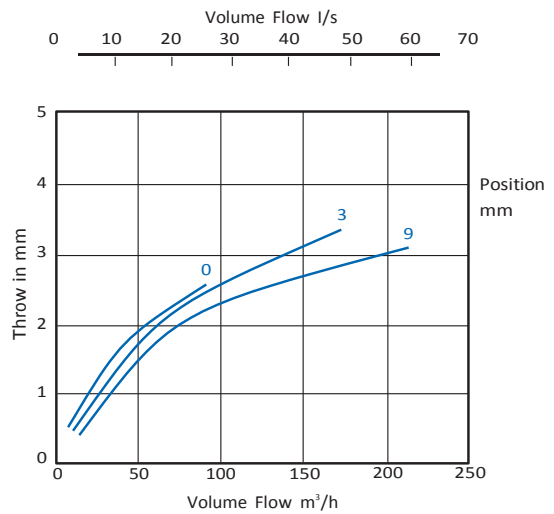
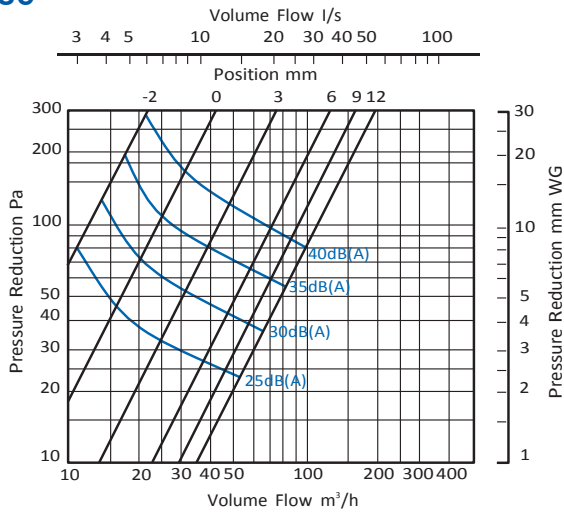
Ventilation Direct Limited

Unit 10 Chambers Way, Thorncliffe, Chapeltown, Sheffield, S35 2PH

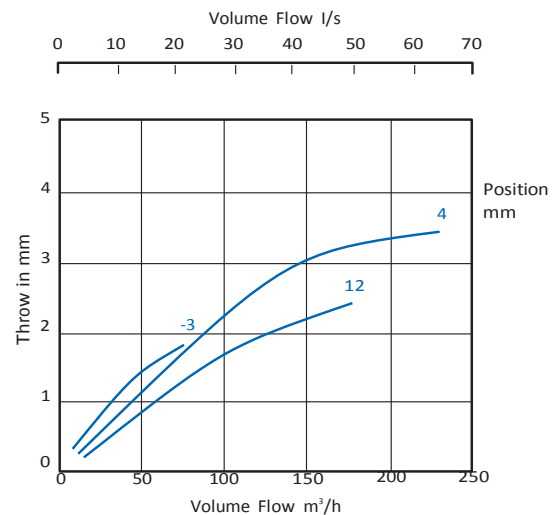
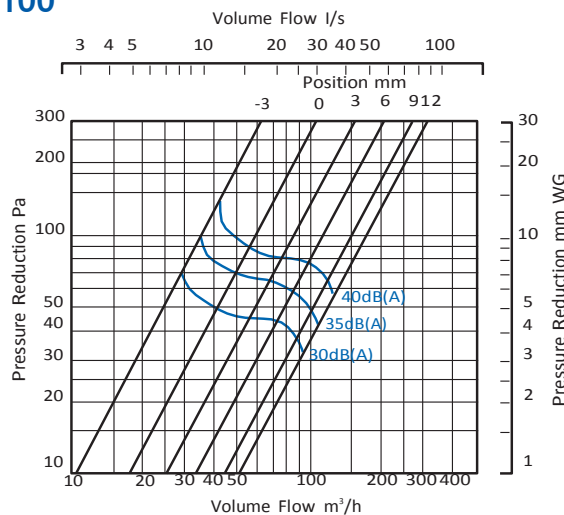
Tel: 0114 2573455

# Performance data Steel supply air valves (SSV)

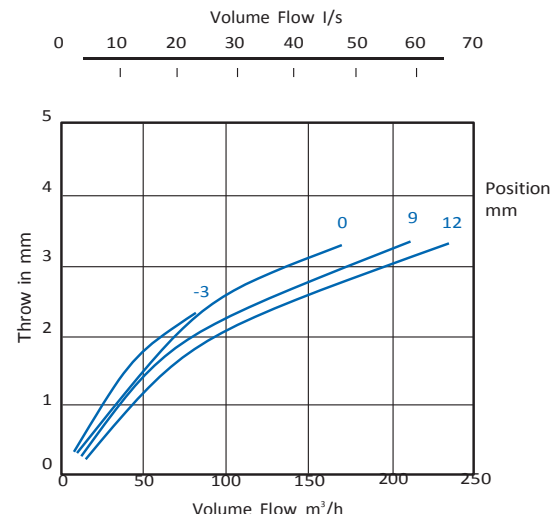
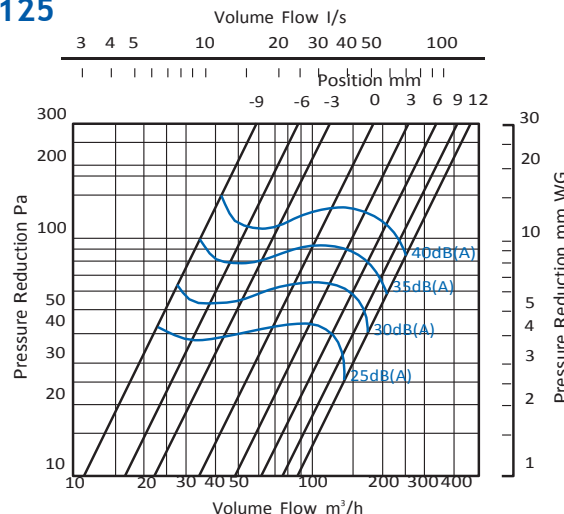
80



100



125



Ventilation Direct Limited

Unit 10 Chambers Way, Thornccliffe, Chapeltown, Sheffield, S35 2PH

Tel: 0114 2573455

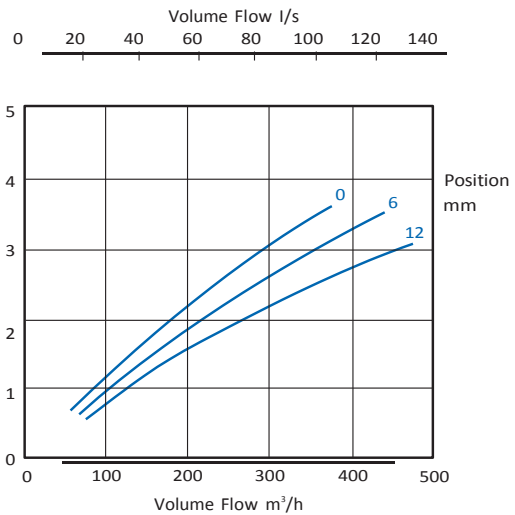
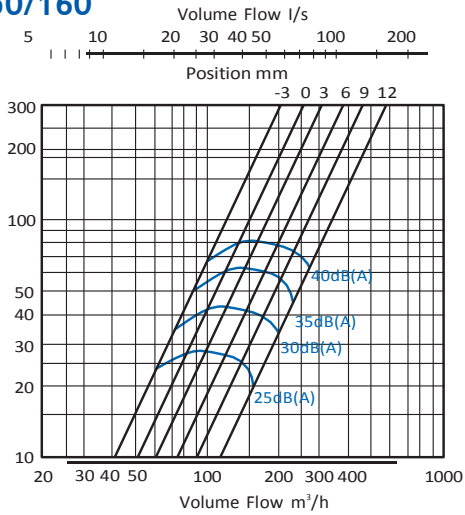
G02

Steel supply exhaust air valves (SSV)

Performance data

# Steel supply air valves (SSV)

## 150/160



## 200

