

- High capacity diffusers designed for large open plan areas
- Integrated volume control damper
- Spun aluminium construction
- Polyester powder coating to any RAL or BS colour available
- Held in stock in RAL9010 and satin anodised for immediate delivery



Series SFCDA

Series SFCDA small format circular diffusers are high capacity supply terminals, designed to suit large open plan areas like gyms and bars.

The concentric circular core pattern spreads air in all directions, perfect for installations requiring a non targeted, well diffused throw.

Comprising a spun aluminium outer frame and inner core, there is an integrated butterfly damper mounted behind the core, allowing for airflow to be trimmed to suit requirements.

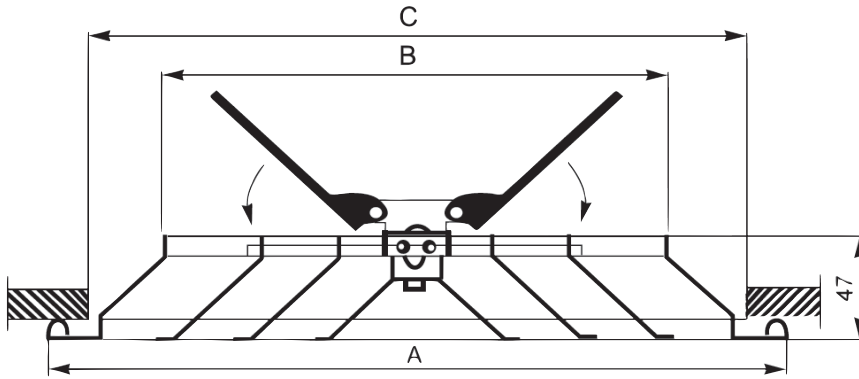
Supplied complete with a mounting bar and required screws to facilitate fitting into plasterboard ceilings.



Design features

Material	Spun aluminium outer frame and core Galvanised steel mounting bar Plastic butterfly damper
Sizes	See overleaf
Frame	23mm wide flange
Core	Removable
Finish	RAL9010 and satin anodised held in stock Optional: See pages 4 Butterfly dampers are supplied in black regardless of diffuser colour

Technical drawings



SIZE	DIMENSIONS (mm)		
	A	B	C
150	257	149	225
200	307	199	275
250	357	249	325
300	407	299	375
350	457	349	425

Finish

Satin anodised aluminium

Polyester powder coating to any RAL or BS colour



Ordering codes

Example

1 - 200 dia - SFCDA - RAL9010

Codes

1)	Quantity		
2)	Size (mm)	(diameter)	Nominal diameter
3)	Series	SFCDA	Small format circular diffuser
4)	Finish	SAA RAL... BS...	Satin anodised aluminium Polyester powder coated to RAL... Polyester powder coated to BS...

Notes

Ventilation Direct Ltd
Unit 10
Vantage Park
Vantage Close
Sheffield
S9 1BG

Tel: 0114 350 3535

info@ventdirect.co.uk

www.ventdirect.co.uk