

## FRQ5-10A+LED V2

Item no. 36230

### Description

#### Speed controller with 5-step switch for 3~ fan

- Optimized frequency inverters for the control of one fan motor for frequency converter suitable isolation system and bearings e.g. IE2
- Integrated 5-Step switch
- Step0=0Hz; Step1=10Hz; Step2=20Hz; Step3=30Hz; Step4=40Hz; Step5=50Hz
- Potential-free operation notification
- Enable contact section
- Motor protection by connecting thermostats "TB" or thermistors "TP"
- Interference emission EN 61000-6-3
- Interference immunity EN 61000-6-2
- Parallel operation of several motors is not allowed
- Max. length of controller(poti) cable 100m
- Max. length of motor cable 10m (screened)
- Please note: Not suitable for external rotor motors

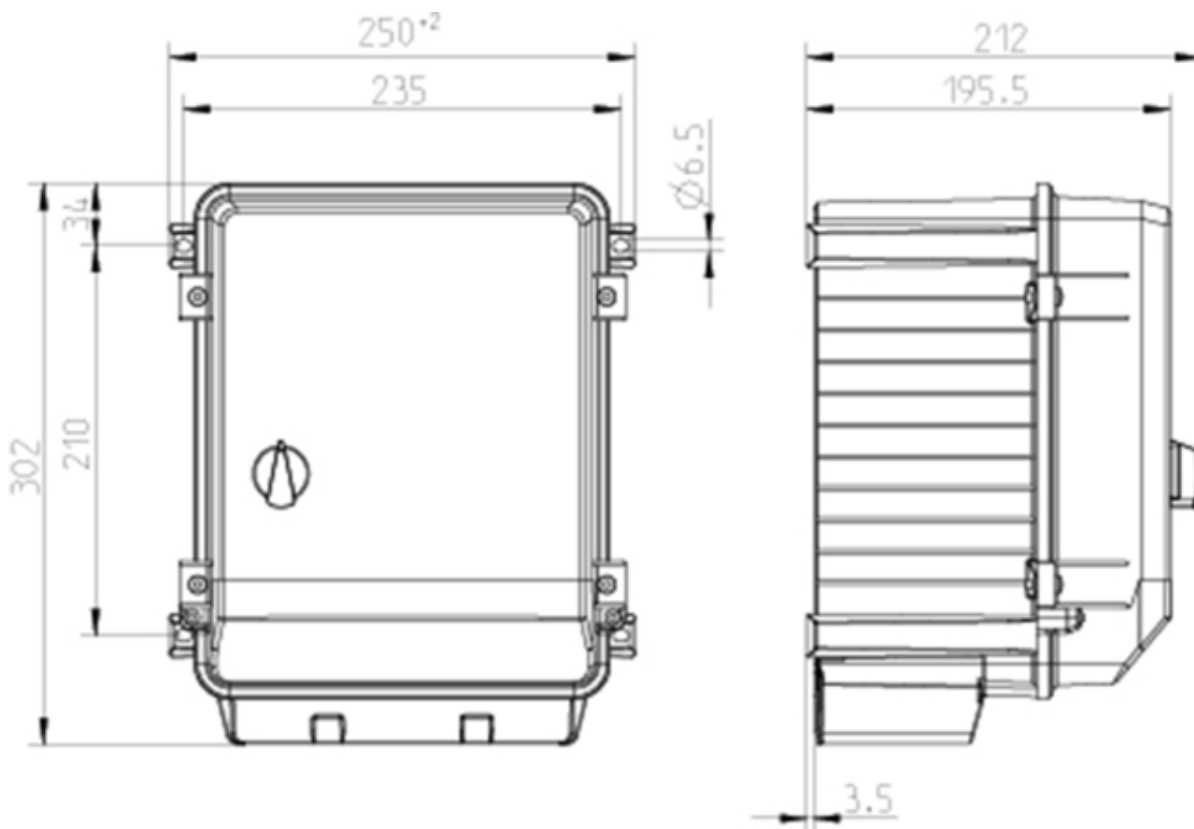
**When operating with Explosion proof fans the FRQ has to be placed outside the EX zone!**



### Technical parameters

Default group		
Frequency	50/60	Hz
Phase	3	~
Recommended fuse	16	A
Permitted max. ambient temperature	40	°C
Enclosure class	IP54	
Max. current	10	A
Dimension		
Weight	5,1	kg

## Dimensions




## Accessories

### Electric accessories

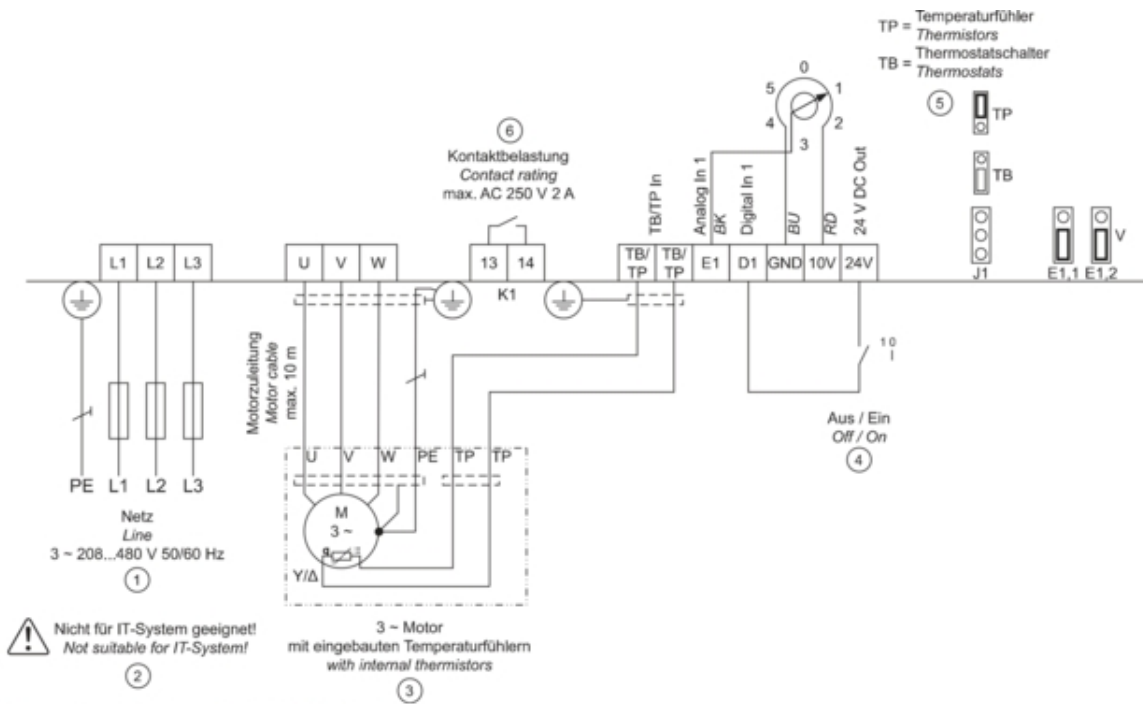
[REV-5POL/05 incl. EMC KIT \(34549\)](#)

## Documentation

 [IMO FRQ5-4A\\_10A\\_16A V2\\_EN.pdf \(707,91kB\)](#)

 [EG-Konformitaetserklaerung FRQ\\_DE-EN.pdf \(466,37kB\)](#)

# Wiring



- 1 Line 3 ~ 208 V...480 V, 50/60 Hz
- 2 Not suitable for IT system!
- 3 3 ~ Motor with internal thermistors
- 4 Enable Device Off / On
- 5 TP = thermistors, TB = thermostats
- 6 Contact rating max. 2A / 250 V AC