

MUB/T 025 355DV

Item no. 34784

Version: 50 Hz

Description

- Up to 120°C medium temperature, continuous operation
- Multi-functional use, e.g. for kitchen exhaust air
- Modular system
- Pre-assembled isolator is standard
- Low sound level
- Easy to maintain and reliable
- Motor outside the air stream

All MUB/T fans have impellers with backward curved blades, manufactured from aluminium. The MUB/T fans are suitable for medium temperatures up to 120°C continuously. Motor protection by cold conductors or thermal contact, to be connected to an external motor protection device. The casing consists of an aluminium frame with fibreglass reinforced plastic corners and double skin, galvanised steel panels with a 20 mm mineral wool insulation. Panels are removable, allowing flexible ventilation solutions - the air direction can easily be changed by 90°. With quick lock access door. The MUB bottom panel is shaped as a grease tray and incorporates a pre-mounted 1" drain plug. An isolator switch is mounted on the casing.

Several filter modules like f.e. activated carbon- or aluminum filters are available, calculated individually on the working point.



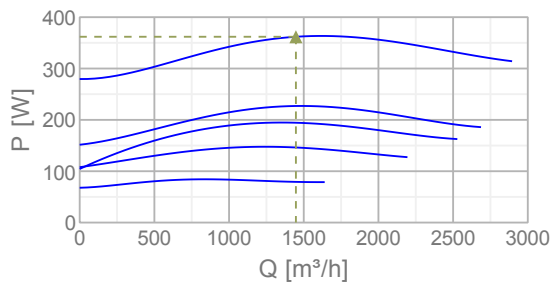
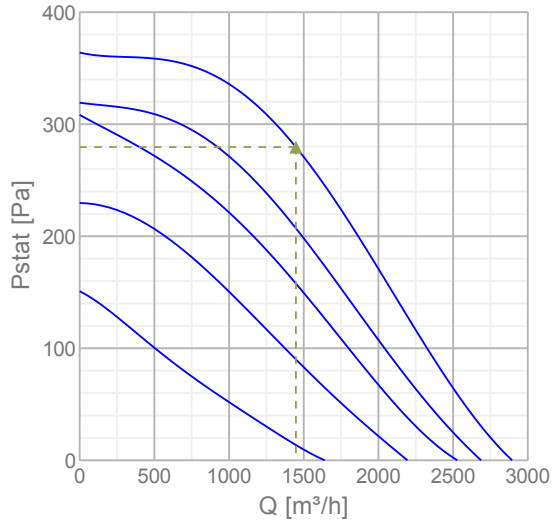
Technical parameters

Nominal data	
Voltage	400 V
Frequency	50 Hz
Phase	3 ~
Input power (P1)	280 W
Current	0,743 A
Max. airflow	2686 m³/h
Fan impeller speed	1278 r.p.m.
Weight	31,5 kg
Temperature data	
Max. temperature of transported air	120 °C
Sound data	
Sound pressure level at 3 m (20m² Sabin)	45 dB(A)
Protection / Classification	
Insulation class	F
Enclosure class, motor	IP54

EPS diagrams

Performance

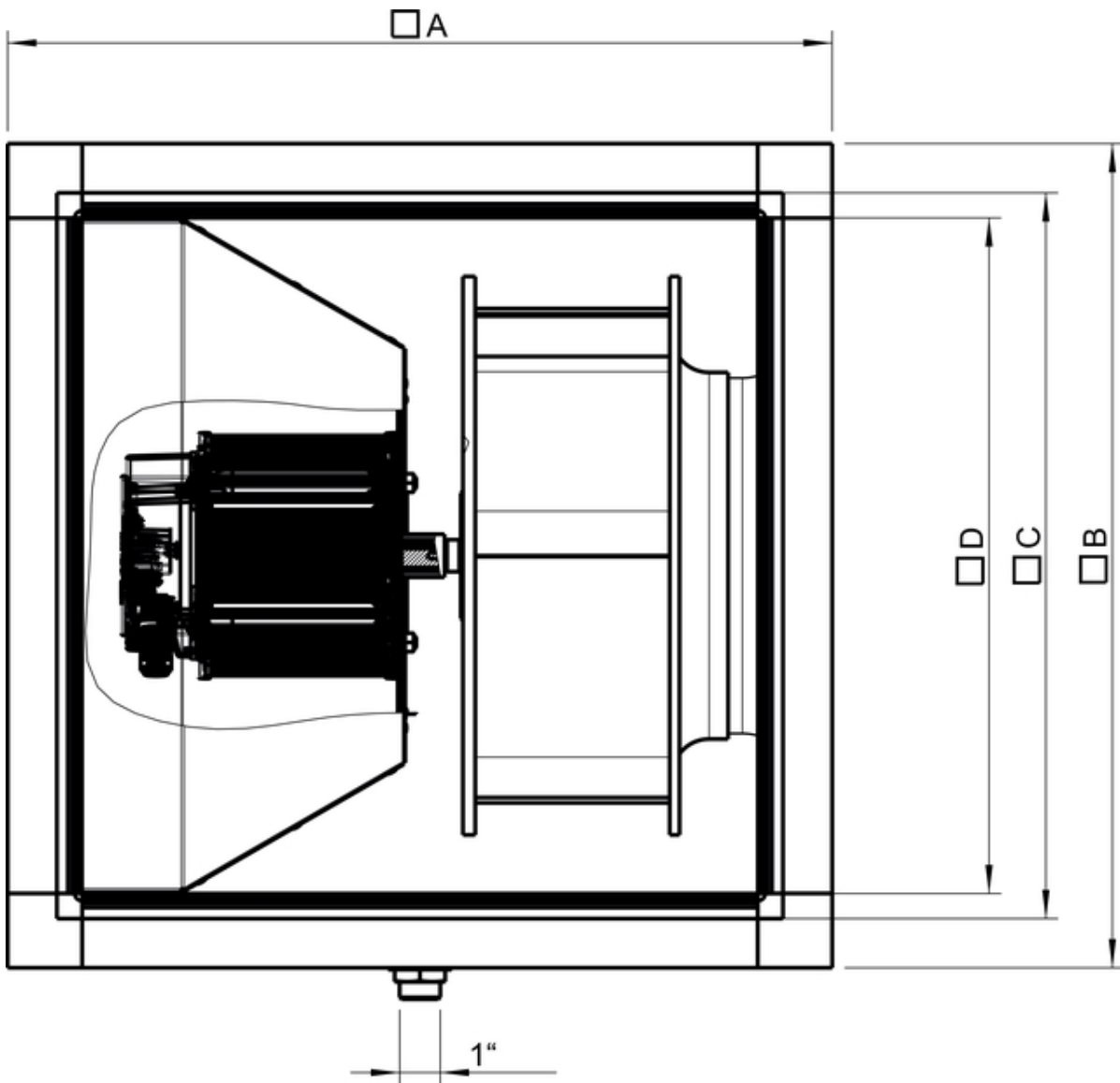
Diagrams



Max efficiency

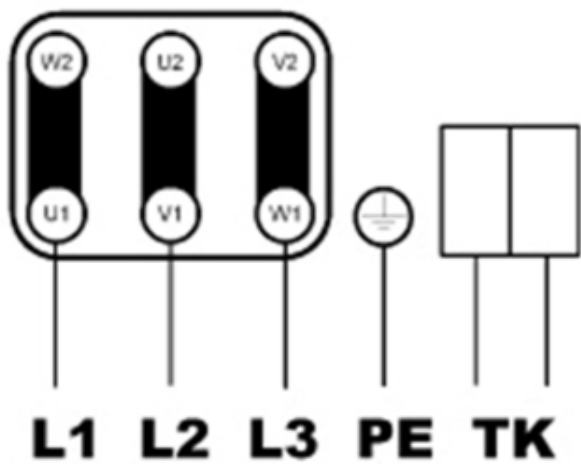
Hydraulic data	
▲ Working air flow	1447 m³/h
▲ Working static pressure	280 Pa
▲ Power	362 W
Speed	1409 r.p.m.
Current	1,29 A
SFP	0,9 kW/(m³/s)
Voltage	400 V

Dimensions

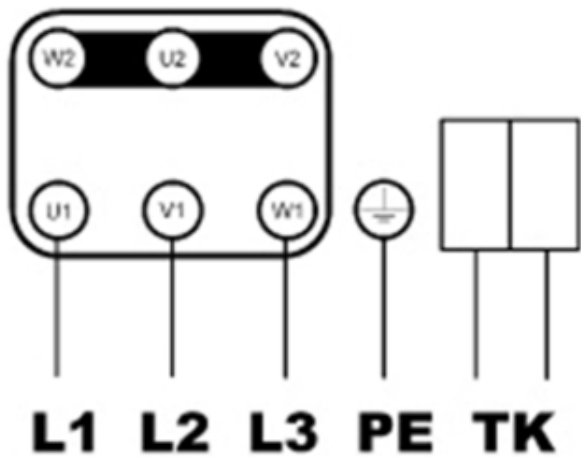


\square A	\square B	\square C	\square D
MUB/T 025 355	500	500	420 378

Wiring



D-Schaltung
D-koppling
Delta connection
Branchement en triangle



Y-Schaltung
Y-koppling
Star connection
Branchement en étoile

Accessories

Electric accessories

[RTRD 2 Speed Cont. Systemair \(5941\)](#)

[RTRDU 2 Speed contr. Systemair \(5945\)](#)

[S-DT2SKT Two speed switch Y/D \(2697\)](#)

[STDT 16 Motor Protection \(5152\)](#)

[FRQ-4A V2 \(36227\)](#)

[FRQ5-4A+LED V2 \(36229\)](#)


[FRQ5S-4A+LED V2 \(36233\)](#)


[FRQS-4A V2 \(36231\)](#)


Accessories

[FGV 025/416-416 flex. conn. \(4196\)](#)
[UGS 025/355 adapter flex. \(4356\)](#)
[WSD 025 \(560x560x70\) complete \(31480\)](#)
[SDM Service Door MUB 025 comp. \(32571\)](#)
[M-SG 025/418x418 \(311696\)](#)
[CCM outlet MUB025 d315 \(312535\)](#)
[CCM inlet MUB025 d315 \(312562\)](#)
[WSG 025 MUB/T complete \(36070\)](#)
[SD-MUB Vibration pad set \(37324\)](#)
[CCMI outlet 025 d315 insul KIT \(313843\)](#)
[CCMI outlet 025 d355 insul KIT \(313844\)](#)
[FGV 025/416-416 flex. 120°C \(38360\)](#)
[UGS 025/355 adapter flex 120°C \(38365\)](#)
[TUNE-AHU-DE006-025-418x418-M0 \(79880\)](#)

Documentation

 [manual_mub_all_en_\[008\].pdf \(2,29MB\)](#)

 [eu declaration of conformity_thermofans_en_\[002\].pdf \(46,39kB\)](#)

 [Commissioning Report_fans_160628_en_001.pdf \(42,79kB\)](#)

Acoustics

Mid-frequency band, Hz

	Hz	Tot	63	125	250	500	1k	2k	4k	8k
LwA Inlet	dB(A)	68	55	57	61	63	62	59	54	47
LwA Outlet	dB(A)	70	57	59	63	65	64	61	56	49
LwA Surrounding	dB(A)	62	49	51	55	57	56	53	48	41

Measuring point: $q_v = 0,4 \text{ m}^3/\text{s}$, $P_s = 280 \text{ Pa}$