

MUB/T 042 400DV

Item no. 33655

Description

- Up to 120°C medium temperature, continuous operation
- Multi-functional use, e.g. for kitchen exhaust air
- Modular system
- Pre-assembled isolator is standard
- Low sound level
- Easy to maintain and reliable
- Motor outside the air stream

All MUB/T fans have impellers with backward curved blades, manufactured from aluminium. The MUB/T fans are suitable for medium temperatures up to 120°C continuously. Motor protection by cold conductors or thermal contact, to be connected to an external motor protection device. The casing consists of an aluminium frame with fibreglass reinforced plastic corners and double skin, galvanised steel panels with a 20 mm mineral wool insulation. Panels are removable, allowing flexible ventilation solutions - the air direction can easily be changed by 90°. With quick lock access door. The MUB bottom panel is shaped as a grease tray and incorporates a pre-mounted 1" drain plug. An isolator switch is mounted on the casing.

Several filter modules like f.e. activated carbon- or aluminum filters are available, calculated individually on the working point.



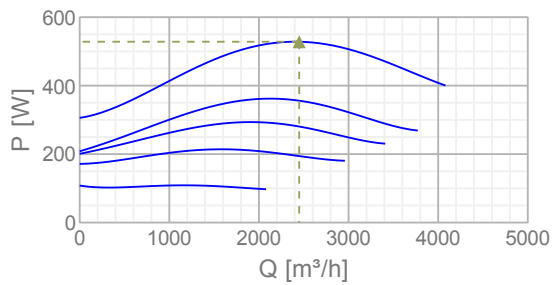
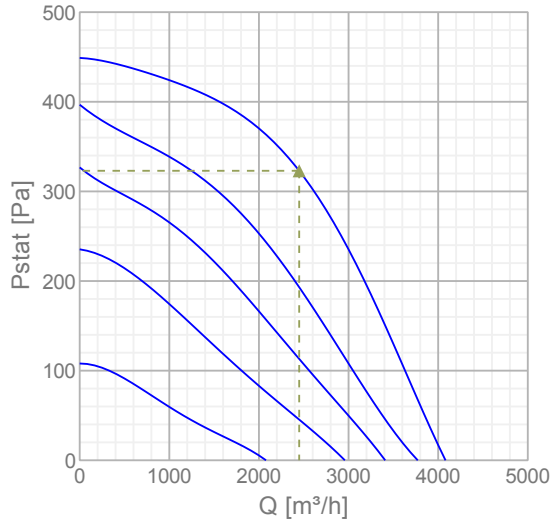
Technical parameters

Nominal data	
Voltage	400 V
Frequency	50 Hz
Phase	3 ~
Input power (P1)	528 W
Current	1,4 A
Max. airflow	4082 m³/h
Fan impeller speed	1370 r.p.m.
Weight	49 kg
Temperature data	
Max. temperature of transported air	120 °C
Sound data	
Sound pressure level at 3 m (20m² Sabin)	47 dB(A)
Protection / Classification	
Insulation class	F
Enclosure class, motor	IP54
Default group	
Starting current	4,6 A

EPS diagrams

Performance

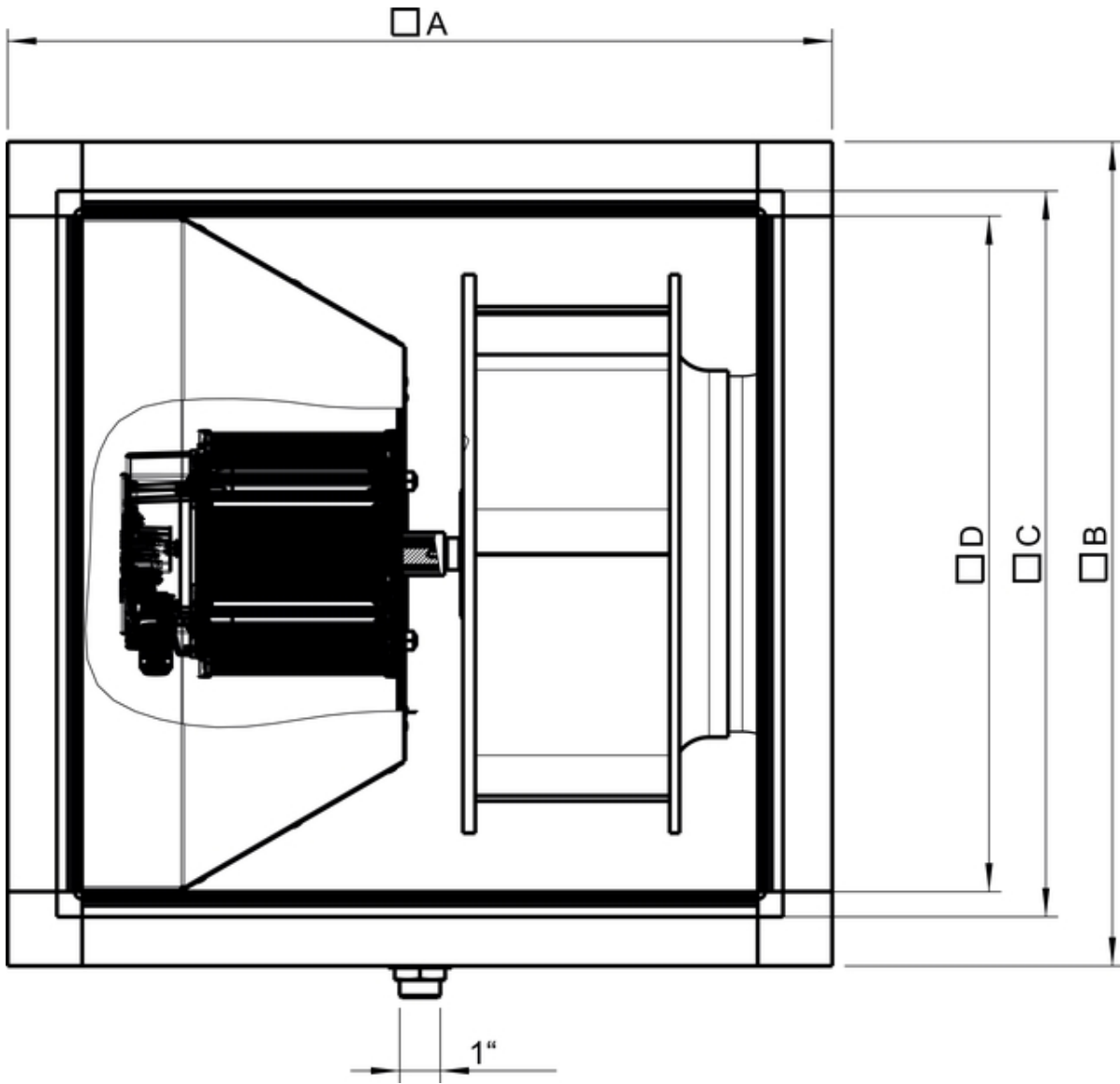
Diagrams



Max efficiency

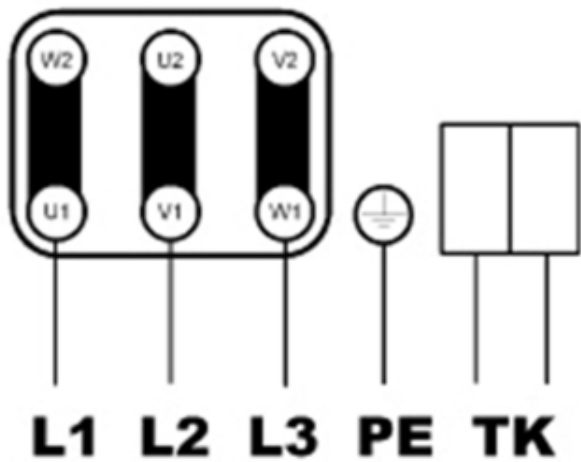
Hydraulic data	
▲ Working air flow	2449 m³/h
▲ Working static pressure	323 Pa
▲ Power	528 W
Speed	1379 r.p.m.
Current	1,35 A
SFP	0,777 kW/(m³/s)
Voltage	400 V

Dimensions

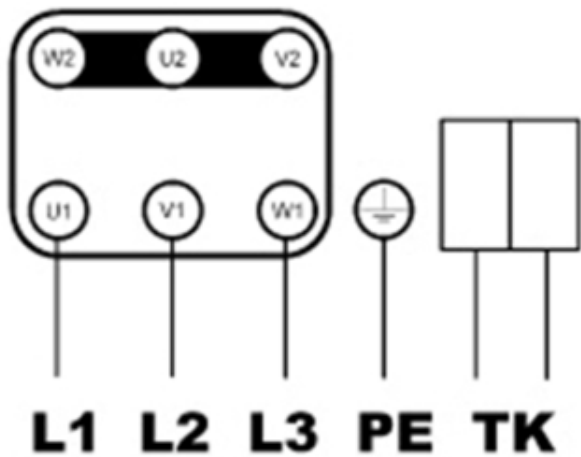


□A	□B	□C	□D
MUB/T 042 400	670	670	590 548

Wiring



D-Schaltung
D-koppling
Delta connection
Branchement en triangle



Y-Schaltung
Y-koppling
Star connection
Branchement en étoile

Accessories


Electric accessories


- [RTRD 2 Speed Cont. Systemair \(5941\)](#)
- [RTRDU 2 Speed contr. Systemair \(5945\)](#)
- [TDS 030A5 Speed control \(9517\)](#)
- [S-DT2SKT Two speed switch Y/D \(2697\)](#)
- [STDT 16 Motor Protection \(5152\)](#)
- [FRQ-4A V2 \(36227\)](#)
- [FRQ5-4A+LED V2 \(36229\)](#)
- [FRQ5S-4A+LED V2 \(36233\)](#)
- [FRQS-4A V2 \(36231\)](#)


Accessories

[UGS 042/500 adapter flex. \(4357\)](#)
[FGV 042/586-586 flex. conn. \(4605\)](#)
[WSD 042 \(730x730x70\) complete \(31481\)](#)
[SDM Service Door MUB 042 comp. \(32572\)](#)
[CCM outlet MUB042 d400 \(311682\)](#)
[CCM outlet MUB042 d500 \(311683\)](#)
[CCM inlet MUB042 d400 \(311780\)](#)
[CCM inlet MUB042 d500 \(311781\)](#)
[M-SG 042/588x588 \(301345\)](#)
[WSG 042 MUB/T complete \(36071\)](#)
[SD-MUB Vibration pad set \(37324\)](#)
[CCMI outlet 042 d400 insul KIT \(313845\)](#)
[CCMI outlet 042 d500 insul KIT \(313846\)](#)
[FGV 042/586-586 flex. 120°C \(38361\)](#)
[UGS 042/400 adapter flex 120°C \(38368\)](#)
[TUNE-AHU-DE007-042-588x588-M0 \(79881\)](#)

Documentation

 [manual_mub_all_en_\[008\].pdf \(2,29MB\)](#)

 [eu declaration of conformity_thermofans_en_\[002\].pdf \(46,39kB\)](#)

 [Commissioning Report_fans_160628_en_001.pdf \(42,79kB\)](#)

Acoustics

	Mid-frequency band, Hz	Hz								
		Tot	63	125	250	500	1k	2k	4k	8k
LwA Inlet	dB(A)	70	57	59	63	65	64	61	56	51
LwA Outlet	dB(A)	72	59	61	65	67	66	63	58	51
LwA Surrounding	dB(A)	54	41	43	47	49	48	45	40	33

Measuring point: qv = 0,6 m³/s, Ps = 323 Pa

Specification text

Multibox Thermo fan for medium temperatures up to 120 °C in continuous operation, reliable, for easy and direct installation in duct systems. Casing frame construction made of aluminium hollow profiles and plastic corners for highest impact resistance. Double skin galvanised steel panels, thermally and sound insulated with a 20 mm layer of mineral wool, smooth inner sides. Removable service panel. Bottom panel is shaped as a grease tray and incorporates a pre-mounted 1" drain plug.

Free-running, backward curved circular impeller made of aluminium. Impeller acc. to VDI 2060, balancing quality Q 6.3, dynamically balanced in two planes acc. to ISO 1940 T1.

Voltage controllable internal rotor motor, standard motor IEC (IP54), outside the air flow, easy to maintain. Integral thermal contacts with leads to a motor protection device. Speed-controlled by voltage reduction via transformer, 2 speed control by star delta change-over or via frequency inverter. Terminal box fitted on the motor. Pre-assembled isolator switch.

Multifunctional use, square connection, intake and discharge side. Variable outlet direction, can be modified on site.

Suitable for kitchen exhaust.
Horizontal installation position only.

For indoor installation.
For outdoor installation with corresponding accessories.